

Utility: Distribution: Natural gas

Process:

National Grid Transco operate over 1000 insertion hot tap turbine meters which are no longer serviceable. These meters provide velocity data to PLC's which correct for density changes and provide information on flows across their network

Solution:

E+H offered Hot Tap flange mounting averaging pitot tube with integral 3-valve manifold plus PMD75 for installation into existing and new pipe lines under pressure.

Key Success Factors:

Rugged meter design approved by Advantica – Transco's R&D

Flexible system for replacement flow meter

No moving parts



Process Specs:

Fluid: Nat gas

Pressure: 16 Barg

Temperature: 50degC.

Flow Range: 10000 – 40000 Sm³/h

Instrument:

Model: ProDelta P

Size/Lining: 8"

Software/Bus: Profibus PA

Company: National Grid Transco

Location: Birmingham

Connecting Our Visions

Classification:
INTERNAL

09/09/2005

MTx / Flowtec / SCS

Slide 1

Typical existing “Quadrina” insertion turbine meter



Classification:
INTERNAL

09/09/2005

MTx / Flowtec / SCS

Slide 2

Support for insertion sensor

New gas let-down stations use E+H Profibus instruments



Connecting Our Visions



Classification:
INTERNAL

09/09/2005

MTx / Flowtec / SCS

Slide 3

Fully inserted measuring flow



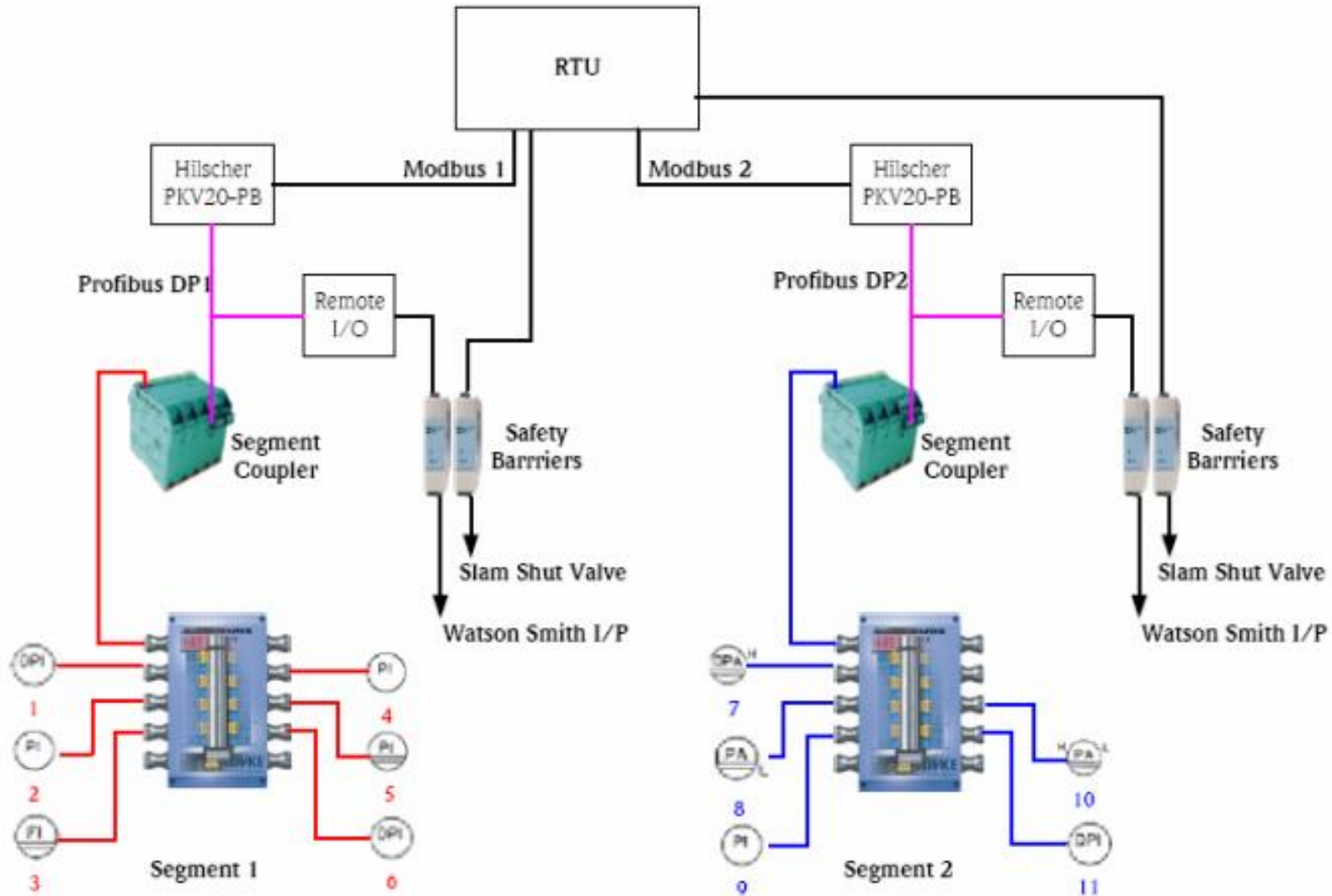
Classification:
INTERNAL

09/09/2005

MTx / Flowtec / SCS

Slide 4

Proposed let-down station structure



Classification:
INTERNAL

09/09/2005
MTx / Flowtec / SCS