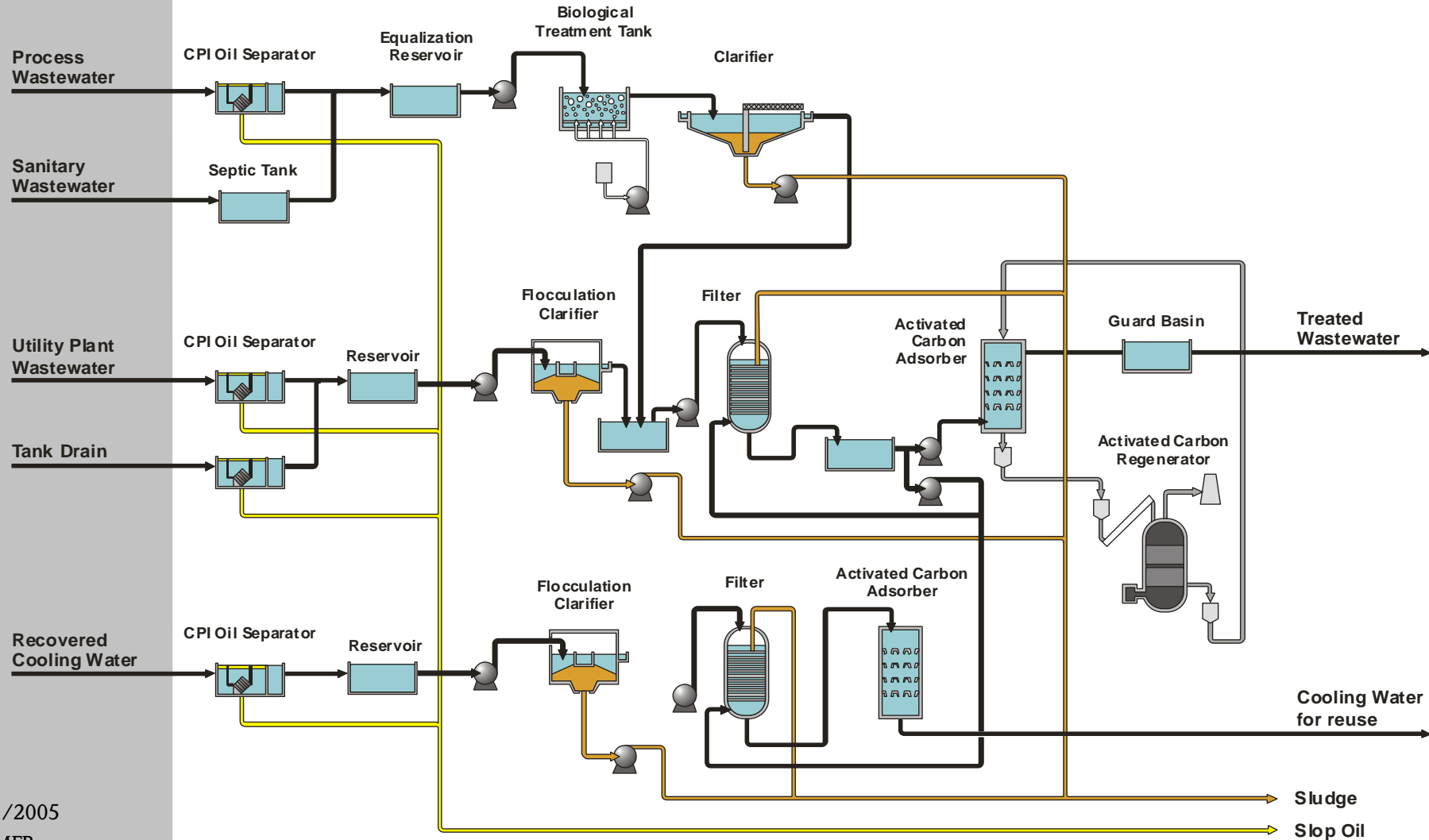


# Water Treatment in O&G and Petrochemical Industry

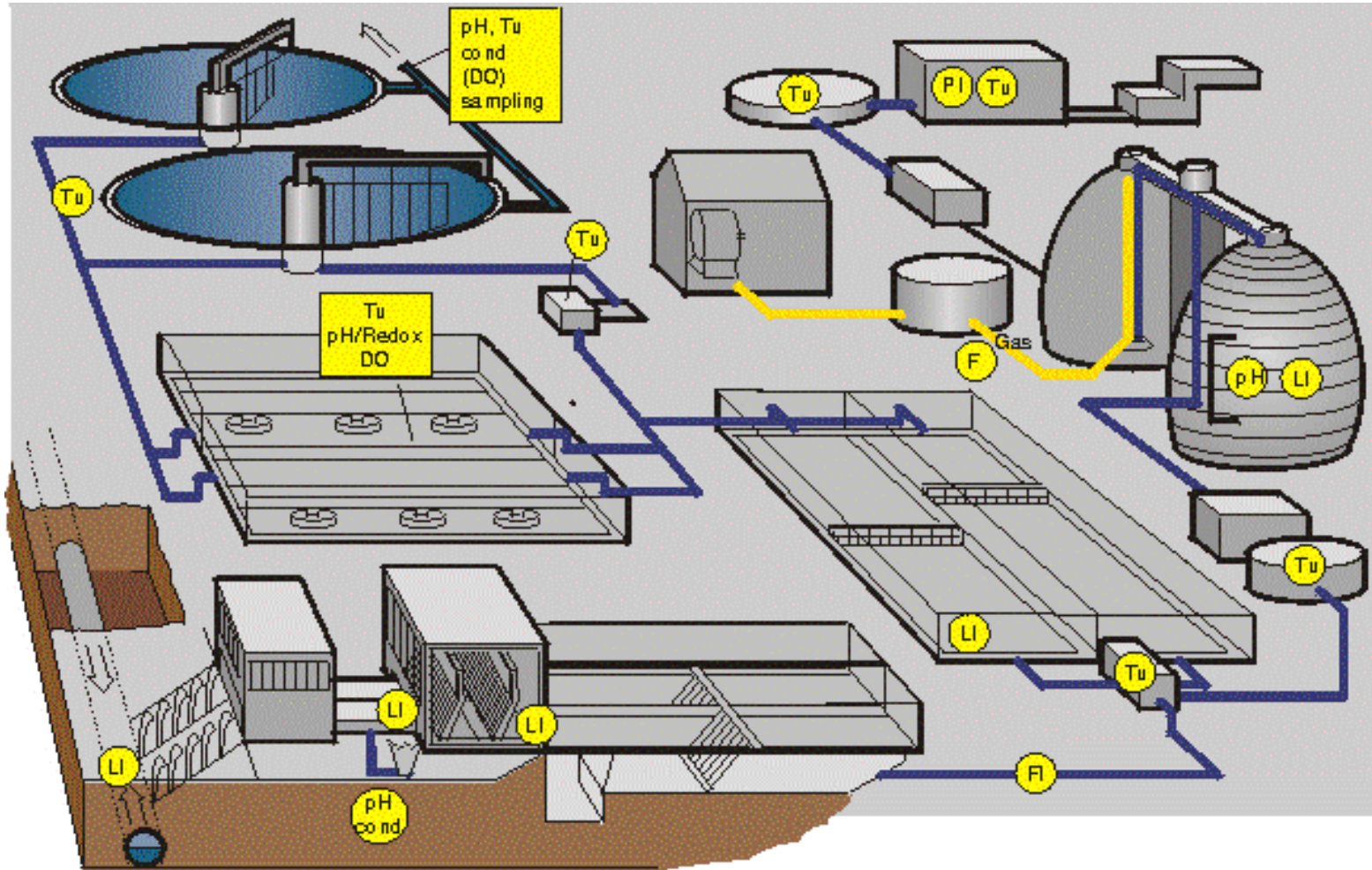


04/11/2005

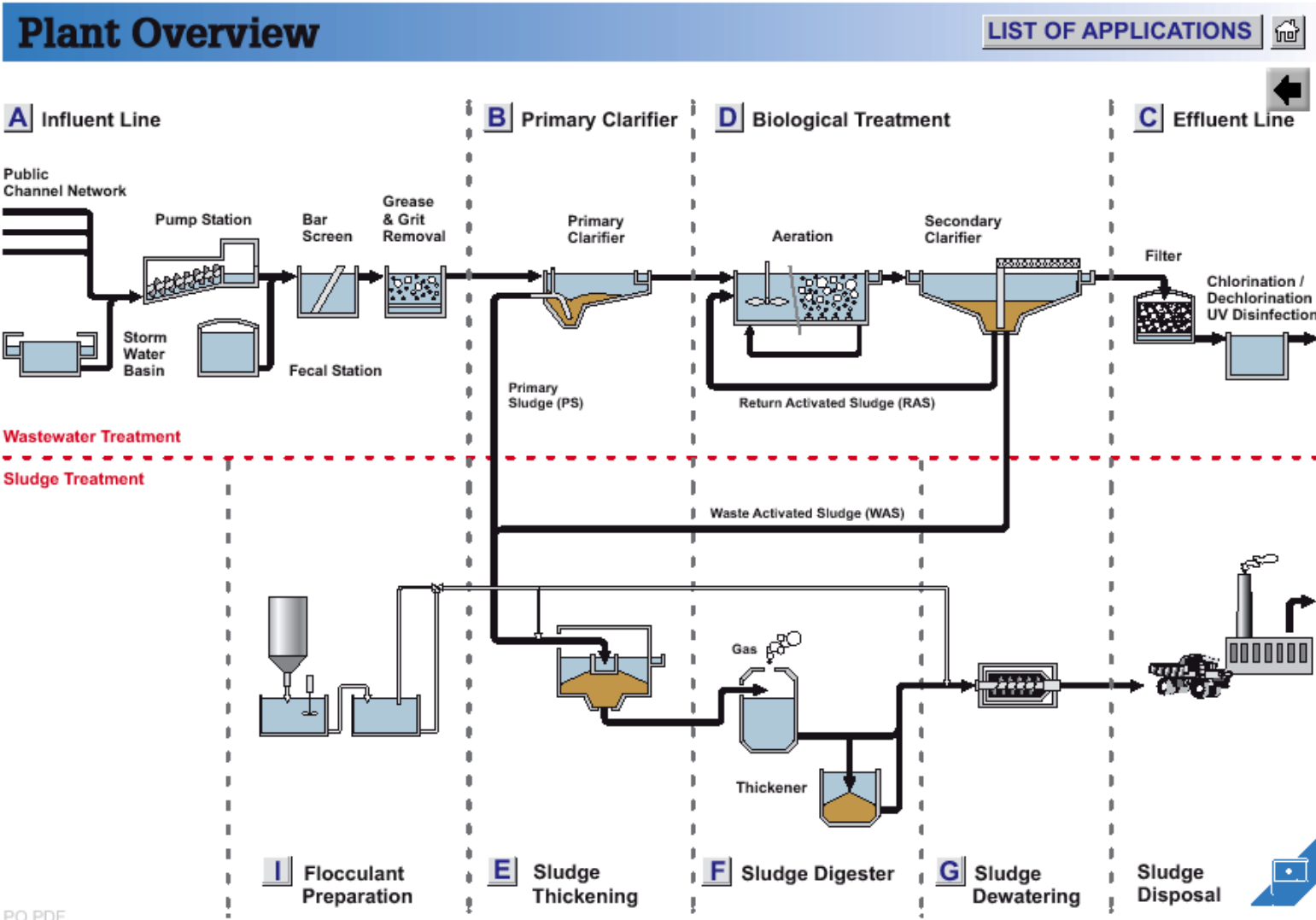
SO / MFP

Slide 1

# General Wastewater Treatment Presentation



# Wastewater Engineering Guide



# Wastewater Engineering Guide

