

Technical Information

Proline Promass 80E, 83E

Coriolis Mass Flow Measuring System

Mass flow measuring system offering "Low Cost of Ownership" as an alternative to conventional volumetric flowmeters



Application

The Coriolis measuring principle operates independently of physical fluid properties, such as viscosity and density.

- Extremely accurate measurement of liquids and gases, e.g. additives, oils, greases, acids, alkalis, lacquers, paints and natural gas
- Fluid temperatures up to +140 °C (+284 °F)
- Guaranteed product quality, suitable for CIP/SIP cleaning
- Low cost of ownership
- Robust field housing (aluminum), IP 67 protection

Approvals for hazardous area:

- ATEX, FM, CSA, TIIS, IECEx, NEPSI

Approvals in the food industry/hygiene sector:

- 3A authorization

Connection to all common process control systems:

- HART, PROFIBUS DP/PA, FOUNDATION Fieldbus, MODBUS

Relevant safety aspects:

- Pressure Equipment Directive (PED), SIL-2
- Rupture disk (optional)

Your benefits

The Promass measuring devices make it possible to simultaneously record several process variables (mass/density/temperature) for various process conditions during measuring operation.

The **Proline transmitter concept** comprises:

- Modular device and operating concept resulting in a higher degree of efficiency
- Software options for batching and concentration measurement for extended range of application
- Diagnostic ability and data back-up for increased process quality

The **Promass sensors**, tried and tested in over 100 000 applications, offer:

- Multivariable flow measurement in compact design
- Insensitivity to vibrations thanks to balanced two-tube measuring system
- Immune from external piping forces due to robust design
- Easy installation without taking inlet and outlet runs into consideration

Table of contents

Function and system design	3	Limiting flow	21
Measuring principle	3	Pressure loss	21
Measuring system	4		
Input	6	Mechanical construction	23
Measured variable	6	Design, dimensions	23
Measuring range	6	Rupture disc	40
Operable flow range	7	Weight	41
Input signal	7	Materials	41
		Material load curves	42
		Process connections	45
Output	7		
Output signal	7	Human interface	45
Signal on alarm	9	Display elements	45
Load	9	Operating elements	45
Low flow cutoff	9	Language groups	45
Galvanic isolation	9	Remote operation	45
Switching output	9		
		Certificates and approvals	46
Power supply	10	CE mark	46
Electrical connection Measuring unit	10	C-Tick symbol	46
Electrical connection, terminal assignment	11	Ex approval	46
Electrical connection remote version	12	Hygienic compatibility	46
Supply voltage	12	FOUNDATION Fieldbus certification	46
Cable entries	12	PROFIBUS DP/PA certification	46
Cable specification remote version	12	MODBUS certification	46
Power consumption	13	Other standards and guidelines	46
Power supply failure	13	Pressure Equipment Directive	46
Potential equalization	13	Functional safety	47
Performance characteristics	14	Ordering Information	47
Reference operating conditions	14		
Maximum measured error	14	Accessories	47
Repeatability	15		
Influence of fluid temperature	15	Documentation	47
Influence of fluid pressure	15		
Design fundamentals	16	Registered trademarks	48
Operating conditions: Installation	17		
Installation instructions	17		
Inlet and outlet runs	20		
Length of connecting cable	20		
System pressure	20		
Operating conditions: Environment	20		
Ambient temperature range	20		
Storage temperature	20		
Degree of protection	20		
Shock resistance	20		
Vibration resistance	20		
Electromagnetic compatibility (EMC)	20		
Operating conditions: Process	21		
Fluid temperature range	21		
Fluid density range	21		
Fluid pressure range (nominal pressure)	21		
Rupture disk in the sensor housing (optional)	21		

Function and system design

Measuring principle

The measuring principle is based on the controlled generation of Coriolis forces. These forces are always present when both translational and rotational movements are superimposed.

$$F_C = 2 \cdot \Delta m (v \cdot \omega)$$

F_C = Coriolis force

Δm = moving mass

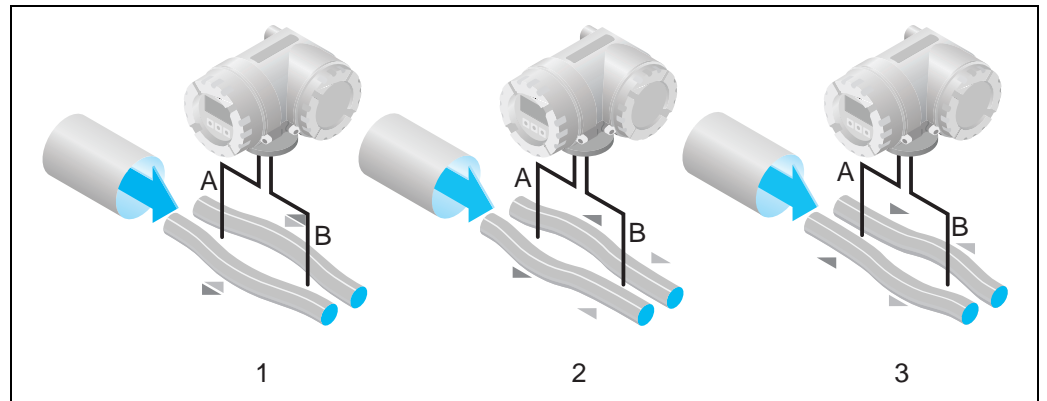
ω = rotational velocity

v = radial velocity in rotating or oscillating system

The amplitude of the Coriolis force depends on the moving mass Δm , its velocity v in the system, and thus on the mass flow. Instead of a constant angular velocity ω , the Promass sensor uses oscillation.

In the sensor, two parallel measuring tubes containing flowing fluid oscillate in antiphase, acting like a tuning fork. The Coriolis forces produced at the measuring tubes cause a phase shift in the tube oscillations (see illustration):

- At zero flow, in other words when the fluid is at a standstill, the two tubes oscillate in phase (1).
- Mass flow causes deceleration of the oscillation at the inlet of the tubes (2) and acceleration at the outlet (3).



The phase difference (A-B) increases with increasing mass flow. Electrodynamic sensors register the tube oscillations at the inlet and outlet.

System balance is ensured by the antiphase oscillation of the two measuring tubes. The measuring principle operates independently of temperature, pressure, viscosity, conductivity and flow profile.

Volume measurement

The measuring tubes are continuously excited at their resonance frequency. A change in the mass and thus the density of the oscillating system (comprising measuring tubes and fluid) results in a corresponding, automatic adjustment in the oscillation frequency. Resonance frequency is thus a function of fluid density. The density value obtained in this way can be used in conjunction with the measured mass flow to calculate the volume flow.

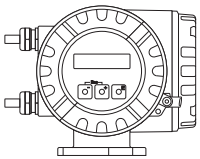
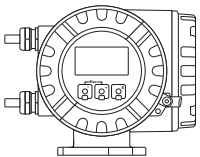
The temperature of the measuring tubes is also determined in order to calculate the compensation factor due to temperature effects.

Measuring system

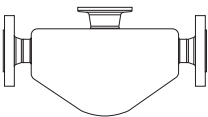
The measuring system consists of a transmitter and a sensor. Two versions are available:

- Compact version: transmitter and sensor form a mechanical unit.
- Remote version: transmitter and sensor are mounted physically separate from one another.

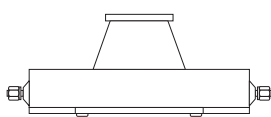
Transmitter

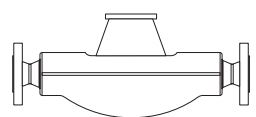
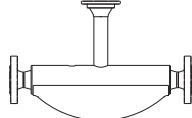
<p>Promass 80</p>  <p style="text-align: right; font-size: small;">a0003671</p>	<ul style="list-style-type: none"> ■ Two-line liquid-crystal display ■ Operation with push buttons
<p>Promass 83</p>  <p style="text-align: right; font-size: small;">a0003672</p>	<ul style="list-style-type: none"> ■ Four-line liquid-crystal display ■ Operation with "Touch control" ■ Application-specific Quick Setup ■ Mass flow, volume flow, density and temperature measurement as well as calculated variables (e.g. fluid concentrations)

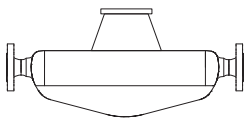
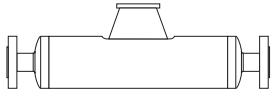
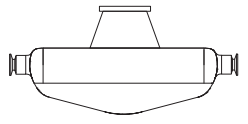
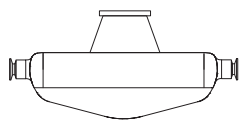
Sensor

<p>E</p>  <p style="text-align: right; font-size: small;">a0002271</p>	<ul style="list-style-type: none"> ■ General purpose sensor, ideal replacement for volumetric flowmeters. ■ Nominal diameters DN 8 to 80 (3/8" to 3") ■ Material: Stainless steel EN 1.4539/ASTM 904L, EN 1.4404/ASTM 316L 	<p>Documentation No. TI061D</p>
--	---	---------------------------------

Other sensors can be found in the separate documentation

<p>A</p>  <p style="text-align: right; font-size: small;">a0003679</p>	<ul style="list-style-type: none"> ■ Single-tube system for highly accurate measurement of very small flows ■ Nominal diameters DN 1 to 4 (1/24" to 1/8") ■ Material: Stainless steel EN 1.4539/ASTM 904L, EN 1.4404/ASTM 316L, Alloy C-22 DIN 2.4602 (process connection) 	<p>Documentation No. TI054D</p>
--	---	---------------------------------

<p>F</p>  <p style="text-align: right; font-size: small;">a0003673</p>	<ul style="list-style-type: none"> ■ Universal sensor for fluid temperatures up to +200 °C (+392 °F). ■ Nominal diameters DN 8 to 250 (3/8" to 10"). ■ Material: Stainless steel EN 1.4539/ASTM 904L, EN 1.4404/ASTM 316L, Alloy C-22 DIN 2.4602 	<p>Documentation No. TI101D</p>
<p>F (High-temperature)</p>  <p style="text-align: right; font-size: small;">a0003675</p>	<ul style="list-style-type: none"> ■ Universal high-temperature sensor for fluid temperatures up to +350 °C (+662 °F). ■ Nominal diameters DN 25, 50, 80 (1", 2", 3") ■ Material: Alloy C-22, DIN 2.4602, EN 1.4404/ASTM 316L 	

<p>H</p>  <p>a0003677</p>	<ul style="list-style-type: none"> ■ Single bent tube. Low pressure loss and chemically resistant material ■ Nominal diameters DN 8 to 50 (3/8" to 2") ■ Material: Zirconium 702/R 60702, Tantalum 2.5W 	<p>Documentation No. TI074D</p>
<p>I</p>  <p>a0003678</p>	<ul style="list-style-type: none"> ■ Straight single-tube instrument. Minimal shear stress on fluid, hygienic design, low pressure loss ■ Nominal diameters DN 8 to 80 (3/8" to 3") ■ Material: Titanium, Ti Grade 2, Ti Grade 9 	<p>Documentation No. TI075D</p>
<p>P</p>  <p>a0006828</p>	<ul style="list-style-type: none"> ■ Single bent tube, minimal shear stress on fluid. Hygienic design with documents for Life Science Industries applications, low pressure loss, for fluid temperatures up to +200 °C (+392 °F). ■ Nominal diameters DN 8 to 50 (3/8" to 2") ■ Material: Stainless steel EN 1.4435/ASTM 316L 	<p>Documentation No. TI078D</p>
<p>S</p>  <p>a0006828</p>	<ul style="list-style-type: none"> ■ Single bent tube. Hygienic design, low pressure loss, for fluid temperatures up to 150 °C (+302 °F) ■ Nominal diameters DN 8 to 50 (3/8" to 2") ■ Material: Stainless steel, EN 1.4539/ASTM 904L, EN 1.4435/ASTM 316L 	<p>Documentation No. TI076D</p>

Input

Measured variable

- Mass flow (proportional to the phase difference between two sensors mounted on the measuring tube to register a phase shift in the oscillation)
- Fluid density (proportional to resonance frequency of the measuring tube)
- Fluid temperature (measured with temperature sensors)

Measuring range

Measuring ranges for liquids

DN		Range for full scale values (liquids) $\dot{m}_{\min(F)}$ to $\dot{m}_{\max(F)}$	
[mm]	[inch]	[kg/h]	[lb/min]
8	3/8"	0 to 2000	0 to 73.5
15	1/2"	0 to 6500	0 to 238
25	1"	0 to 18000	0 to 660
40	1 1/2"	0 to 45000	0 to 1 650
50	2"	0 to 70000	0 to 2570
80	3"	0 to 180000	0 to 6600

Measuring ranges for gases

The full scale values depend on the density of the gas. Use the formula below to calculate the full scale values:

$$\dot{m}_{\max(G)} = \dot{m}_{\max(F)} \cdot \rho_{(G)} \div x \text{ [kg/m}^3\text{]}$$

$$\dot{m}_{\max(G)} = \text{max. full scale value for gas [kg/h]}$$

$$\dot{m}_{\max(F)} = \text{max. full scale value for liquid [kg/h]}$$

$$\rho_{(G)} = \text{Gas density in [kg/m}^3\text{] at operating conditions}$$

DN		x
[mm]	[inch]	
8	3/8"	85
15	1/2"	110
25	1"	125
40	1 1/2"	125
50	2"	125
80	3"	155

Here, $\dot{m}_{\max(G)}$ can never be greater than $\dot{m}_{\max(F)}$

Calculation example for gas:

- Sensor type: Promass E, DN 50
- Gas: air with a density of 60.3 kg/m³ (at 20 °C and 50 bar)
- Measuring range (liquid): 70000 kg/h
- x = 125 (for Promass E, DN 50)

Max. possible full scale value:

$$\dot{m}_{\max(G)} = \dot{m}_{\max(F)} \cdot \rho_{(G)} \div x \text{ [kg/m}^3\text{]} = 70000 \text{ kg/h} \cdot 60.3 \text{ kg/m}^3 \div 125 \text{ kg/m}^3 = 33800 \text{ kg/h}$$

Recommended full scale values

See information in the "Limiting flow" section → 21 ff.

Operable flow range Greater than 1000: 1. Flow rates above the preset full scale value do not overload the amplifier, i.e. the totalizer values are registered correctly.

Input signal**Status input (auxiliary input)**

$U = 3$ to 30 V DC, $R_i = 5$ k Ω , galvanically isolated.

Configurable for: totalizer reset, positive zero return, error message reset, zero point adjustment start, batching start/stop (optional), batch totalizer reset (optional).

Status input (auxiliary input) with PROFIBUS DP

$U = 3$ to 30 V DC, $R_i = 3$ k Ω , galvanically isolated.

Switch level: ± 3 to ± 30 V DC, independent of polarity.

Configurable for: positive zero return, error message reset, zero point adjustment start, batching start/stop (optional), totalizer reset for batching (optional).

Status input (auxiliary input) with MODBUS RS485

$U = 3$ to 30 V DC, $R_i = 3$ k Ω , galvanically isolated.

Switch level: ± 3 to ± 30 V DC, independent of polarity.

Configurable for: totalizer reset, positive zero return, error message reset, zero point adjustment start.

Current input (only Promass 83)

Active/passive selectable, galvanically isolated, resolution: 2 μ A

- Active: 4 to 20 mA, $R_L < 700$ Ω , $U_{out} = 24$ V DC, short-circuit proof
- Passive: $0/4$ to 20 mA, $R_i = 150$ Ω , $U_{max} = 30$ V DC

Output

Output signal**Promass 80***Current output*

Active/passive selectable, galvanically isolated, time constant selectable (0.05 to 100 s), full scale value selectable, temperature coefficient: typically 0.005% o.f.s./ $^{\circ}$ C, resolution: 0.5 μ A

- Active: $0/4$ to 20 mA, $R_L < 700$ Ω (for HART: $R_L \geq 250$ Ω)
- Passive: 4 to 20 mA; supply voltage U_S 18 to 30 V DC; $R_i \geq 150$ Ω

Pulse/frequency output

Passive, open collector, 30 V DC, 250 mA, galvanically isolated.

- Frequency output: full scale frequency 2 to 1000 Hz ($f_{max} = 1250$ Hz), on/off ratio $1:1$, pulse width max. 2 s
- Pulse output: pulse value and pulse polarity selectable, pulse width configurable (0.5 to 2000 ms)

PROFIBUS PA interface

- PROFIBUS PA in accordance with EN 50170 Volume 2, IEC 61158-2 (MBP), galvanically isolated
- Profile Version 3.0
- Current consumption: 11 mA
- Permitted supply voltage: 9 to 32 V
- Bus connection with integrated reverse polarity protection
- Error current FDE (Fault Disconnection Electronic) = 0 mA
- Data transmission rate: 31.25 kBit/s
- Signal encoding: Manchester II
- Function blocks: $4 \times$ Analog Input, $2 \times$ Totalizer
- Output data: Mass flow, Volume flow, Density, Temperature, Totalizer
- Input data: Positive zero return (ON/OFF), Zero point adjustment, Measuring mode, Totalizer control
- Bus address can be configured via miniature switches or via the local display (optional)

Promass 83*Current output*

Active/passive selectable, galvanically isolated, time constant selectable (0.05 to 100 s), full scale value selectable, temperature coefficient: typically 0.005% o.f.s./°C, resolution: 0.5 μ A

- Active: 0/4 to 20 mA, $R_L < 700 \Omega$ (for HART: $R_L \geq 250 \Omega$)
- Passive: 4 to 20 mA; supply voltage U_S 18 to 30 V DC; $R_i \geq 150 \Omega$

Pulse/frequency output

active/passive selectable, galvanically isolated

- Active: 24 V DC, 25 mA (max. 250 mA during 20 ms), $R_L > 100 \Omega$
- Passive: open collector, 30 V DC, 250 mA
- Frequency output: full scale frequency 2 to 10000 Hz ($f_{\max} = 12500$ Hz), on/off ratio 1:1, pulse width max. 2 s
- Pulse output: pulse value and pulse polarity selectable, pulse width configurable (0.05 to 2000 ms)

PROFIBUS DP interface

- PROFIBUS DP in accordance with EN 50170 Volume 2
- Profile Version 3.0
- Data transmission rate: 9.6 kBaud to 12 MBaud
- Automatic data transmission rate recognition
- Signal encoding: NRZ Code
- Function blocks: 6 \times Analog Input, 3 \times Totalizer
- Output data: Mass flow, Volume flow, Corrected volume flow, Density, Reference density, Temperature, Totalizers 1 to 3
- Input data: Positive zero return (ON/OFF), Zero point adjustment, Measuring mode, Totalizer control
- Bus address can be configured via miniature switches or via the local display (optional)
- Available output combination \rightarrow 11

PROFIBUS PA interface

- PROFIBUS PA in accordance with EN 50170 Volume 2, IEC 61158-2 (MBP), galvanically isolated
- Data transmission rate: 31.25 kBit/s
- Current consumption: 11 mA
- Permitted supply voltage: 9 to 32 V
- Bus connection with integrated reverse polarity protection
- Error current FDE (Fault Disconnection Electronic): 0 mA
- Signal encoding: Manchester II
- Function blocks: 6 \times Analog Input, 3 \times Totalizer
- Output data: Mass flow, Volume flow, Corrected volume flow, Density, Reference density, Temperature, Totalizers 1 to 3
- Input data: Positive zero return (ON/OFF), Zero point adjustment, Measuring mode, Totalizer control
- Bus address can be configured via miniature switches or via the local display (optional)
- Available output combination \rightarrow 11

MODBUS interface

- MODBUS device type: slave
- Address range: 1 to 247
- Supported function codes: 03, 04, 06, 08, 16, 23
- Broadcast: supported with the function codes 06, 16, 23
- Physical interface: RS485 in accordance with EIA/TIA-485 standard
- Supported baud rate: 1200, 2400, 4800, 9600, 19200, 38400, 57600, 115200 Baud
- Transmission mode: RTU or ASCII
- Response times:
 - Direct data access = typically 25 to 50 ms
 - Auto-scan buffer (data range) = typically 3 to 5 ms
- Possible output combination \rightarrow 11

FOUNDATION Fieldbus interface

- FOUNDATION Fieldbus H1, IEC 61158-2, galvanically isolated
- Data transmission rate: 31.25 kBit/s
- Current consumption: 12 mA
- Permitted supply voltage: 9 to 32 V
- Error current FDE (Fault Disconnection Electronic): 0 mA
- Bus connection with integrated reverse polarity protection
- Signal encoding: Manchester II
- ITK Version 5.01
- Function blocks:
 - 8 × Analog Input (Execution time: per 18 ms)
 - 1 × Digital Output (18 ms)
 - 1 × PID (25 ms)
 - 1 × Arithmetic (20 ms)
 - 1 × Input Selector (20 ms)
 - 1 × Signal Characterizer (20 ms)
 - 1 × Integrator (18 ms)
- Number of VCRs: 38
- Number of link objects in VFD: 40
- Output data: Mass flow, Volume flow, Corrected volume flow, Density, Reference density, Temperature, Totalizers 1 to 3
- Input data: Positive zero return (ON/OFF), Zero point adjustment, Measuring mode, Reset totalizer
- Link Master (LM) function is supported

Signal on alarm

Current output

Failsafe mode selectable (e.g. in accordance with NAMUR Recommendation NE 43)

Pulse/frequency output

Failsafe mode selectable

Status output (Promass 80)

Nonconductive in the event of a fault or if the power supply fails

Relay output (Promass 83)

Dead in the event of a fault or if the power supply fails

Load

see "Output signal"

Low flow cutoff

Switch points for low flow are selectable.

Galvanic isolation

All circuits for inputs, outputs, and power supply are galvanically isolated from each other.

Switching output

Status output (Promass 80)

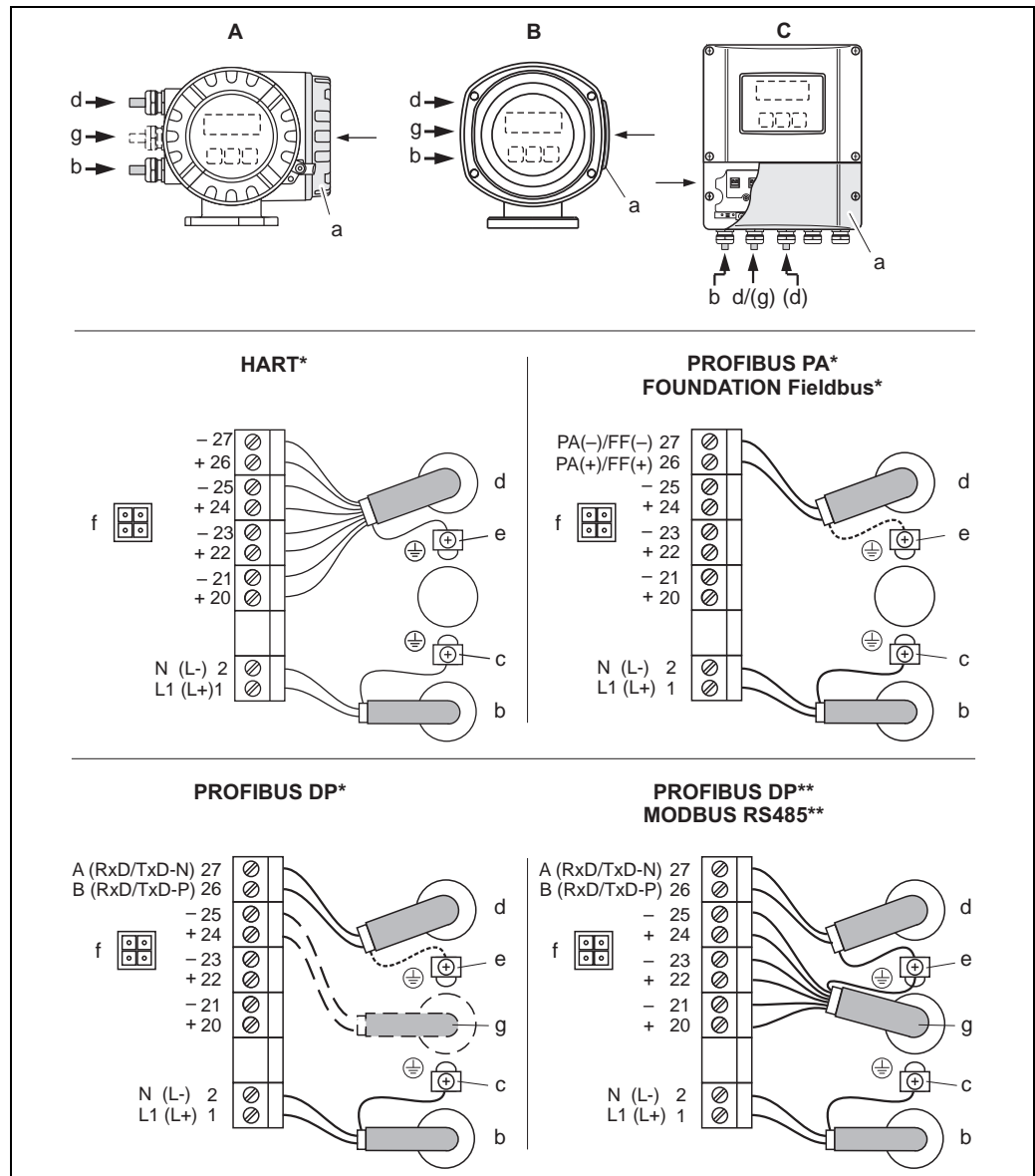
- Open collector
- max. 30 V DC / 250 mA
- galvanically isolated
- Configurable for: error messages, Empty Pipe Detection (EPD), flow direction, limit values

Relay output (Promass 83)

- max. 30 V / 0.5 A AC; 60 V / 0.1 A DC
- galvanically isolated
- Normally closed (NC or break) or normally open (NO or make) contacts available (factory setting: relay 1 = NO, relay 2 = NC)

Power supply

Electrical connection Measuring unit



Connecting the transmitter, cable cross-section: max. 2.5 mm²

- A View A (field housing)
- B View B (Stainless Steel field housing)
- C View C (wall-mount housing)

*) fixed communication board

**) flexible communication board

a Connection compartment cover

b Cable for power supply: 85 to 260 V AC, 20 to 55 V AC, 16 to 62 V DC

Terminal No. 1: L1 for AC, L+ for DC

Terminal No. 2: N for AC, L- for DC

c Ground terminal for protective ground

d Signal cable: see Terminal assignment → 11

Fieldbus cable:

Terminal No. 26: DP (B) / PA (+) / FF (+) / MODBUS RS485 (B) / (PA, FF: with reverse polarity protection)

Terminal No. 27: DP (A) / PA (-) / FF (-) / MODBUS RS485 (A) / (PA, FF: with reverse polarity protection)

e Ground terminal for signal cable shield / fieldbus cable / RS485 line

f Service adapter for connecting service interface FXA 193 (Fieldcheck, FieldCare)

g Signal cable: see Terminal assignment → 11

g Cable for external termination (only for PROFIBUS DP with permanent assignment communication board):

Terminal No. 24: +5 V

Terminal No. 25: DGND

**Electrical connection,
terminal assignment**

Promass 80

Order version	Terminal No. (inputs/outputs)			
	20 (+) / 21 (-)	22 (+) / 23 (-)	24 (+) / 25 (-)	26 (+) / 27 (-)
80***_*****A	-	-	Frequency output	Current output, HART
80***_*****D	Status input	Status output	Frequency output	Current output, HART
80***_*****H	-	-	-	PROFIBUS PA
80***_*****S	-	-	Frequency output Ex i, passive	Current output Ex i active, HART
80***_*****T	-	-	Frequency output Ex i, passive	Current output Ex i passive, HART
80***_*****8	Status input	Frequency output	Current output 2	Current output 1, HART

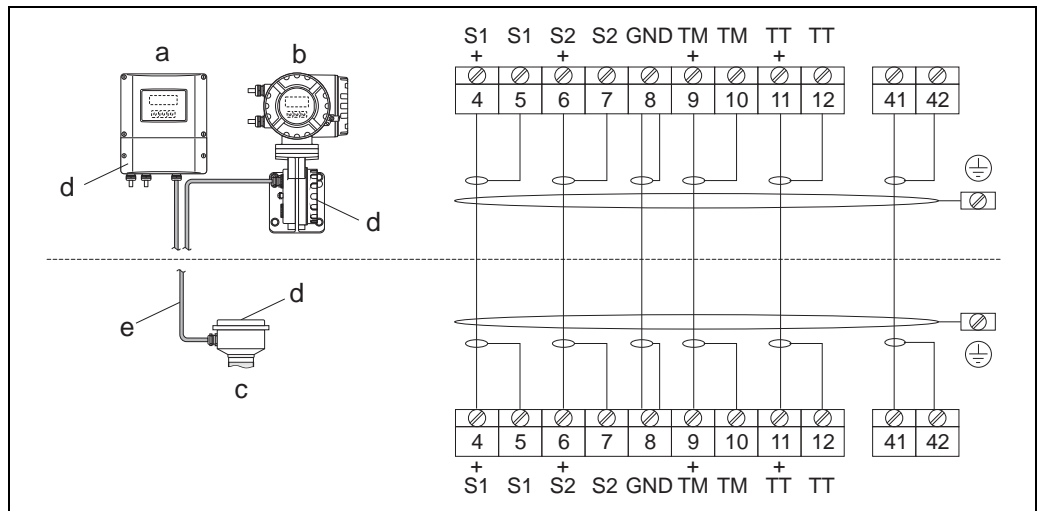
Promass 83

The inputs and outputs on the communication board can be either permanently assigned (fixed) or variable (flexible), depending on the version ordered (see table). Replacements for modules which are defective or which have to be replaced can be ordered as accessories.

Order version	Terminal No. (inputs/outputs)			
	20 (+) / 21 (-)	22 (+) / 23 (-)	24 (+) / 25 (-)	26 (+) / 27 (-)
<i>Fixed communication boards (permanent assignment)</i>				
83***_*****A	-	-	Frequency output	Current output, HART
83***_*****B	Relay output	Relay output	Frequency output	Current output, HART
83***_*****F	-	-	-	PROFIBUS PA, Ex i
83***_*****G	-	-	-	FOUNDATION Fieldbus Ex i
83***_*****H	-	-	-	PROFIBUS PA
83***_*****J	-	-	+5V (ext. termination)	PROFIBUS DP
83***_*****K	-	-	-	FOUNDATION Fieldbus
83***_*****Q	-	-	Status input	MODBUS RS485
83***_*****R	-	-	Current output 2 Ex i, active	Current output 1 Ex i active, HART
83***_*****S	-	-	Frequency output Ex i, passive	Current output Ex i active, HART
83***_*****T	-	-	Frequency output Ex i, passive	Current output Ex i passive, HART
83***_*****U	-	-	Current output 2 Ex i, passive	Current output 1 Ex i passive, HART
<i>Flexible communication boards</i>				
83***_*****C	Relay output 2	Relay output 1	Frequency output	Current output, HART
83***_*****D	Status input	Relay output	Frequency output	Current output, HART
83***_*****E	Status input	Relay output	Current output 2	Current output 1, HART
83***_*****L	Status input	Relay output 2	Relay output 1	Current output, HART
83***_*****M	Status input	Freq.output 2	Frequency output 1	Current output, HART
83***_*****N	Current output	Frequency output	Status input	MODBUS RS485
83***_*****P	Current output	Frequency output	Status input	PROFIBUS DP
83***_*****V	Relay output 2	Relay output 1	Status input	PROFIBUS DP
83***_*****W	Relay output	Current output 3	Current output 2	Current output 1, HART

Order version	Terminal No. (inputs/outputs)			
	20 (+) / 21 (-)	22 (+) / 23 (-)	24 (+) / 25 (-)	26 (+) / 27 (-)
83***_*****0	Status input	Current output 3	Current output 2	Current output 1, HART
83***_*****2	Relay output	Current output 2	Frequency output	Current output 1, HART
83***_*****3	Current input	Relay output	Current output 2	Current output 1, HART
83***_*****4	Current input	Relay output	Frequency output	Current output, HART
83***_*****5	Status input	Current input	Frequency output	Current output, HART
83***_*****6	Status input	Current input	Current output 2	Current output 1, HART
83***_*****7	Relay output 2	Relay output 1	Status input	MODBUS RS485

Electrical connection remote version



Connecting the remote version

- a Wall-mount housing: non-hazardous area and ATEX II3G / zone 2 → see separate "Ex documentation"
- b Wall-mount housing: ATEX II2G / Zone 1 / FM/CSA → see separate "Ex documentation"
- c Connection housing sensor
- d Cover for connection compartment or connection housing
- e Connecting cable

Terminal No.: 4/5 = gray; 6/7 = green; 8 = yellow; 9/10 = pink; 11/12 = white; 41/42 = brown

Supply voltage 85 to 260 V AC, 45 to 65 Hz
 20 to 55 V AC, 45 to 65 Hz
 16 to 62 V DC

Cable entries *Power-supply and signal cables (inputs/outputs):*

- Cable entry M20 × 1.5 (8 to 12 mm / 0.31" to 0.47")
- Thread for cable entries, 1/2" NPT, G 1/2"

Connecting cable for remote version:

- Cable entry M20 × 1.5 (8 to 12 mm / 0.31" to 0.47")
- Thread for cable entries, 1/2" NPT, G 1/2"

Cable specification remote version

- 6 × 0.38 mm² PVC cable with common shield and individually shielded cores
- Conductor resistance: ≤ 50 Ω/km (≤0.015 Ω/ft)
- Capacitance: core/shield: ≤ 420 pF/m (≤128 pF/ft)
- Cable length: max. 20 m (65 ft)
- Permanent operating temperature: max. +105 °C (+221 °F)

Operation in zones of severe electrical interference:
 The measuring device complies with the general safety requirements in accordance with EN 61010-1, the EMC requirements of IEC/EN 61326, and NAMUR recommendation NE 21/43.

Power consumption

AC: <15 VA (including sensor)

DC: <15 W (including sensor)

Switch-on current

■ Max. 13.5 A (<50 ms) at 24 V DC

■ Max. 3 A (<5 ms) at 260 V AC

Power supply failure

Promass 80

Lasting min. 1 power cycle:

■ EEPROM saves measuring system data if the power supply fails

■ HistoROM/S-DAT: exchangeable data storage chip with sensor specific data (nominal diameter, serial number, calibration factor, zero point, etc.)

Promass 83

Lasting min. 1 power cycle:

■ EEPROM and T-DAT save the measuring system data if the power supply fails.

■ HistoROM/S-DAT: exchangeable data storage chip with sensor specific data (nominal diameter, serial number, calibration factor, zero point, etc.)

Potential equalization

No special measures for potential equalization are required. For instruments for use in hazardous areas, observe the corresponding guidelines in the specific Ex documentation.

Performance characteristics

Reference operating conditions

- Error limits following ISO/DIN 11631
- Water, typically +15...+45 °C (+59...+113 °F); 2...6 bar (29...87 psi)
- Data according to calibration protocol ± 5 °C (± 9 °F) und ± 2 bar (± 29 psi)
- Accuracy based on accredited calibration rigs according to ISO 17025

Maximum measured error

The following values refer to the pulse/frequency output. Measured error at the current output is typically ± 5 μ A. Design fundamentals → [16](#).

o.r. = of reading; $1 \text{ g/cm}^3 = 1 \text{ kg/l}$; T = medium temperature

Mass flow and volume flow (liquids)

Promass 83E:

- $\pm 0.2\%$ o.r.

Promass 80E:

- $\pm 0.25\%$ o.r.

Mass flow (gases)

Promass 83E, 80E: $\pm 0.75\%$ o.r.

Density (liquids)

- Reference conditions: $\pm 0.0005 \text{ g/cm}^3$
- Field density calibration: $\pm 0.0005 \text{ g/cm}^3$
(valid after a field density calibration under process conditions)
- Standard density calibration: $\pm 0.02 \text{ g/cm}^3$
(valid over the entire temperature and density range → [21](#))

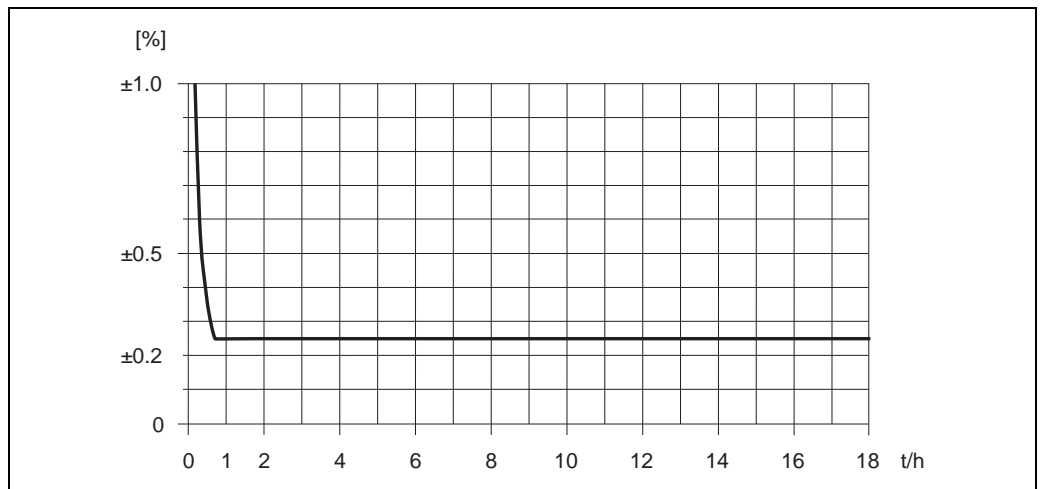
Temperature

$\pm 0.5 \text{ °C} \pm 0.005 \cdot T \text{ °C}$ ($\pm 1 \text{ °F} \pm 0.003 \cdot (T - 32) \text{ °F}$)

Zero point stability

DN		Zero point stability	
[mm]	[inch]	[kg/h] or [l/h]	[lb/min]
8	3/8"	0.20	0.0074
15	1/2"	0.65	0.0239
25	1"	1.80	0.0662
40	1 1/2"	4.50	0.1654
50	2"	7.00	0.2573
80	3"	18.00	0.6615

Example for max. measured error



Max. measured error in % of measured value (example: Promass 83E / DN 25)

Flow values (example)

Design fundamentals → 16

Turn down	Flow		Max. measured error [% o.r.]
	[kg/h] or [l/h]	[lb/min]	
250 : 1	72	2.646	2.50
100 : 1	180	6.615	1.00
25 : 1	720	26.46	0.25
10 : 1	1800	66.15	0.25
2 : 1	9000	330.75	0.25

o.r. = of reading

Repeatability

Design fundamentals → 16.

Mass flow and volume flow (liquids)

Promass 80E, 83E: ±0.10% o.r.

Mass flow (gases)

Promass 80E, 83E: ±0.35% o.r.

Density (liquids)

±0.00025 g/cm³

Temperature

±0.25 °C ± 0.0025 · T °C (±1 °F ± 0.003 · (T - 32) °F)

Influence of fluid temperature

When there is a difference between the temperature for zero point adjustment and the process temperature, the typical measured error of the Promass sensor is ±0.0002% of the full scale value / °C (±0.0001% of the full scale value / °F).

Influence of fluid pressure

The table below shows the effect on accuracy of mass flow due to a difference between calibration pressure and process pressure.

DN		Promass E
[mm]	[inch]	[% o.r./bar]
8	3/8"	no influence
15	1/2"	no influence
25	1"	no influence
40	1 1/2"	no influence
50	2"	-0.009
80	3"	-0.020

o.r. = of reading

Design fundamentals

Dependent on the flow:

- $\text{Flow} \geq \text{Zero point stability} \div (\text{base accuracy} \div 100)$
 - Max. measured error: $\pm \text{base accuracy in \% o.r.}$
 - Repeatability: $\pm 1/2 \cdot \text{base accuracy in \% o.r.}$
- $\text{Flow} < \text{Zero point stability} \div (\text{base accuracy} \div 100)$
 - Max. measured error: $\pm (\text{zero point stability} \div \text{measured value}) \cdot 100\% \text{ o.r.}$
 - Repeatability: $\pm 1/2 \cdot (\text{zero point stability} \div \text{measured value}) \cdot 100\% \text{ o.r.}$

o.r. = of reading

Base accuracy for	Promass 83E	Promass 80E
Mass flow liquids	0.2	0.25
Volume flow liquids	0.2	0.25
Mass flow gases	0.75	0.75

Operating conditions: Installation

Installation instructions

Note the following points:

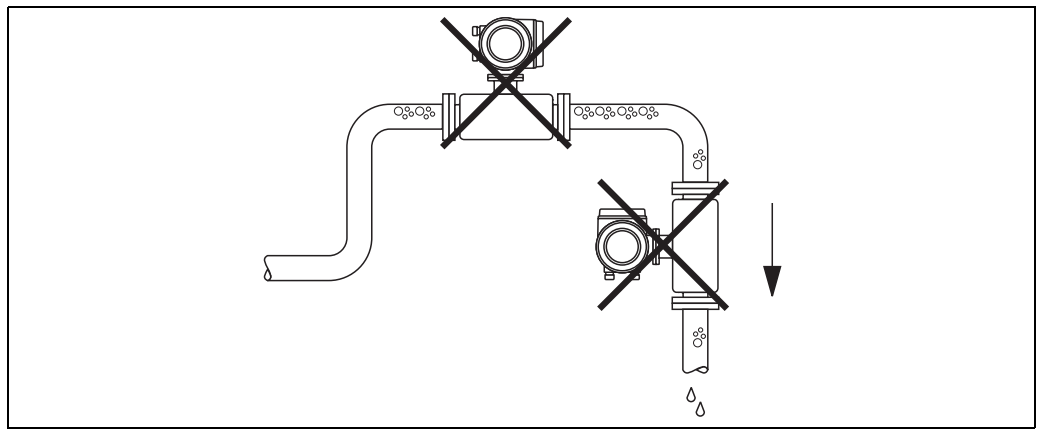
- No special measures such as supports are necessary. External forces are absorbed by the construction of the instrument, for example the secondary containment.
- The high oscillation frequency of the measuring tubes ensures that the correct operation of the measuring system is not influenced by pipe vibrations.
- No special precautions need to be taken for fittings which create turbulence (valves, elbows, T-pieces etc.), as long as no cavitation occurs.

Mounting location

Entrained air or gas bubbles in the measuring tube can result in an increase in measuring errors.

Therefore, avoid the following mounting locations in the pipe installation:

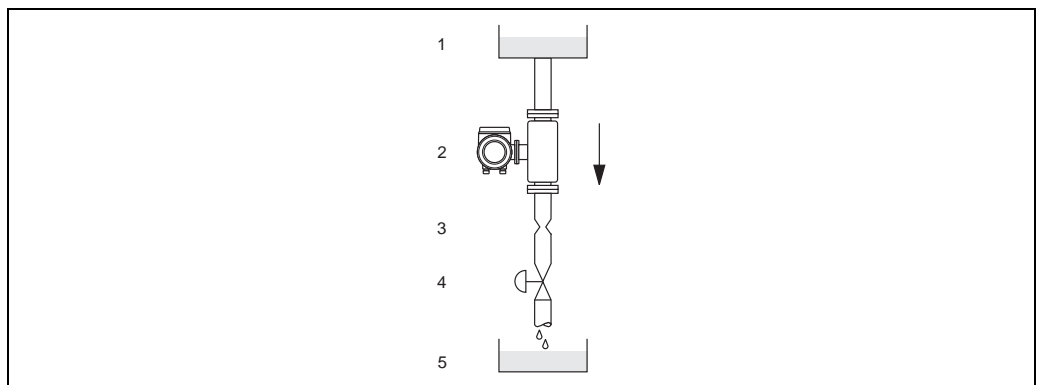
- Highest point of a pipeline. Risk of air accumulating.
- Directly upstream of a free pipe outlet in a vertical pipeline.



a0003605

Mounting location

Notwithstanding the above, the installation proposal below permits installation in an open vertical pipeline. Pipe restrictions or the use of an orifice with a smaller cross-section than the nominal diameter prevent the sensor running empty while measurement is in progress.



a0003597

Installation in a down pipe (e.g. for batching applications)

- 1 Supply tank
- 2 Sensor
- 3 Orifice plate, pipe restriction (see Table following page)
- 4 Valve
- 5 Batching tank

DN		Ø Orifice plate, pipe restriction	
[mm]	[inch]	[mm]	[inch]
8	3/8"	6	0.24
15	1/2"	10	0.40
25	1"	14	0.55
40	1 1/2"	22	0.87
50	2"	28	1.10
80	3"	50	2.00

Orientation

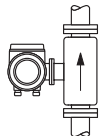

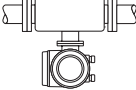
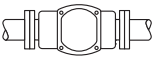
Make sure that the direction of the arrow on the nameplate of the sensor matches the direction of flow (direction of fluid flow through the pipe).

Vertical (Fig. V)

Recommended orientation with upward direction of flow. When fluid is not flowing, entrained solids will sink down and gases will rise away from the measuring tube. Thus the measuring tubes can be completely drained and protected against solids buildup.

Horizontal (Fig. H1 / H2)

The measuring tubes must be horizontal and beside each other. When installation is correct the transmitter housing is above or below the pipe (Fig. H1/H2). Always avoid having the transmitter housing in the same horizontal plane as the pipe. Please note the special installation instructions → 19.

Orientation		Promass E compact version	Promass E remote version
Fig. V: Vertical	 a0004572	✓✓	✓✓
Fig. H1: Horizontal Transmitter head up	 a0004576	✓✓	✓✓
Fig. H2: Horizontal Transmitter head down	 a0004580	✓✓	✓✓
Fig. H3: Horizontal Transmitter head to the side	 a0007558	✗	✗
✓✓ = Recommended orientation ✓ = Orientation recommended in certain situations ✗ = Impermissible orientation			

In order to ensure that the permissible ambient temperature range for the transmitter is not exceeded, we recommend the following orientations:

- For fluids with very high temperatures, we recommend the horizontal orientation with the transmitter head pointing downwards (Fig. H2) or the vertical orientation (Fig. V).

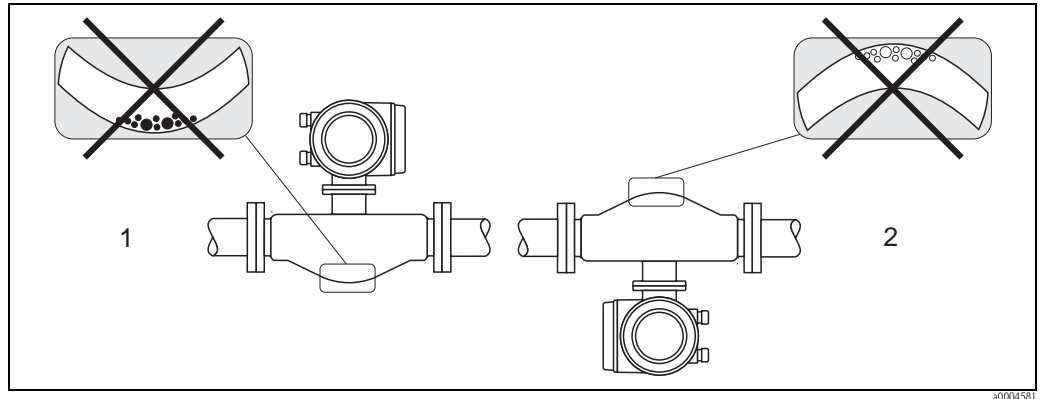
- For fluids with very low temperatures, we recommend the horizontal orientation with the transmitter head pointing upwards (Fig. H1) or the vertical orientation (Fig. V).

Special installation instructions



Caution!

When using a bent measuring tube and horizontal installation, the position of the sensor has to be matched to the fluid properties!



Horizontal installation for sensors with a bent measuring tube

- 1 Not suitable for fluids with entrained solids. Risk of solids accumulating.
- 2 Not suitable for outgassing fluids. Risk of air accumulating.

Heating

Some fluids require suitable measures to avoid heat transfer at the sensor. Heating can be electric, e.g. with heated elements, or by means of hot water or steam pipes made of copper or heating jackets.



Caution!

- Risk of electronics overheating! Make sure that the maximum permissible ambient temperature for the transmitter is not exceeded. Consequently, make sure that the adapter between the sensor and transmitter and the connection housing of the remote version always remain free of insulating material. Note that a certain orientation might be required, depending on the fluid temperature → 21.
- If using an electric trace heating system whose heating is regulated via phase angle control or pulse packages, influence on the measured values cannot be ruled out due to magnetic fields (i.e. for values that are greater than the values approved by the EN standard (sine 30 A/m)). In such cases, the sensor must be magnetically shielded.

The housing can be shielded with tin plates or electric sheets without preferential direction (e.g. V330-35A) with the following properties:

- Relative magnetic permeability $\mu_r \geq 300$
- Plate thickness $d \geq 0.35 \text{ mm}$ ($d \geq 0.014''$)

- Information on permitted temperature ranges → 21

Special heating jackets, which can be ordered separately from Endress+Hauser as an accessory, are available for the sensors.

Thermal insulation

Some fluids require suitable measures to avoid loss of heat at the sensor. A wide range of materials can be used to provide the required thermal insulation.

Zero point adjustment

All measuring devices are calibrated with state-of-the-art technology. The zero point determined in this way is imprinted on the nameplate of the device. Calibration takes place under reference operating conditions → 14. Consequently, the zero point adjustment is generally **not** necessary for Promass!

Experience shows that the zero point adjustment is advisable only in special cases:

- To achieve highest measuring accuracy also with very small flow rates.
- Under extreme process or operating conditions (e.g. very high process temperatures or very high viscosity fluids).

Inlet and outlet runs	There are no installation requirements regarding inlet and outlet runs.
Length of connecting cable	Max. 20 meters (66 ft), remote version
System pressure	<p>It is important to ensure that cavitation does not occur, because it would influence the oscillation of the measuring tube. No special measures need to be taken for fluids which have properties similar to water under normal conditions.</p> <p>In the case of liquids with a low boiling point (hydrocarbons, solvents, liquefied gases) or in suction lines, it is important to ensure that pressure does not drop below the vapor pressure and that the liquid does not start to boil. It is also important to ensure that the gases that occur naturally in many liquids do not outgas. Such effects can be prevented when system pressure is sufficiently high.</p> <p>Therefore, the following locations should be preferred for installation:</p> <ul style="list-style-type: none"> ■ Downstream from pumps (no danger of vacuum) ■ At the lowest point in a vertical pipe

Operating conditions: Environment

Ambient temperature range	<p>Sensor, transmitter:</p> <ul style="list-style-type: none"> ■ Standard: -20 to +60 °C (-4 to +140 °F) ■ Optional: -40 to +60 °C (-40 to +140 °F) <p>Note!</p> <ul style="list-style-type: none"> ■ Install the device at a shady location. Avoid direct sunlight, particularly in warm climatic regions. ■ At ambient temperatures below -20 °C (-4 °F) the readability of the display may be impaired.
Storage temperature	-40 to +80 °C (-40 to +175 °F), preferably +20 °C (+68 °F)
Degree of protection	Standard: IP 67 (NEMA 4X) for transmitter and sensor
Shock resistance	According to IEC 68-2-31
Vibration resistance	Acceleration up to 1 g, 10 to 150 Hz, following IEC 68-2-6
Electromagnetic compatibility (EMC)	As per IEC/EN 61326 and NAMUR recommendation NE 21

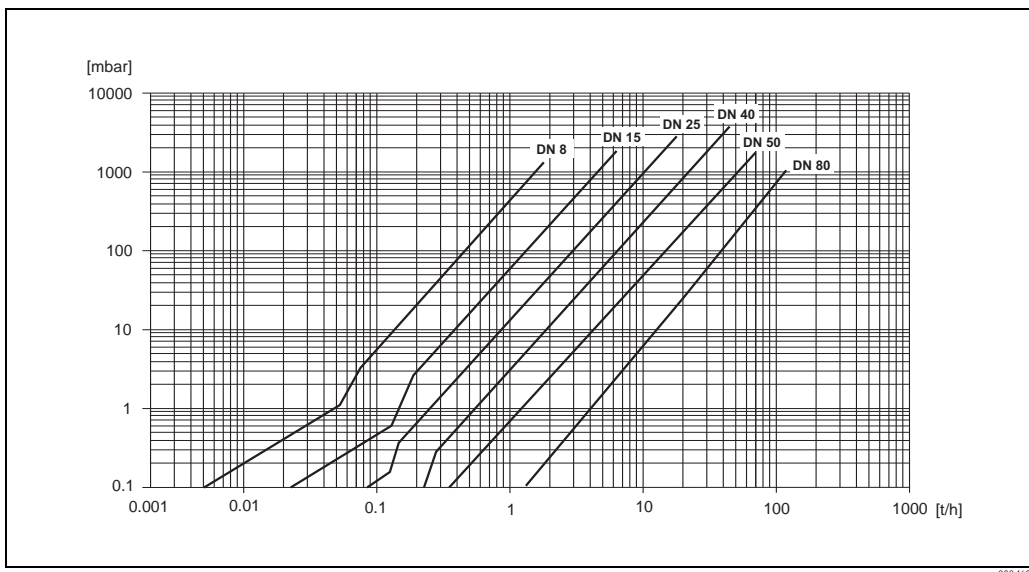
Operating conditions: Process

Fluid temperature range	Sensor -40 to +140 °C (-40 to +284 °F)
Fluid density range	0 to 5000 kg/m ³ (0 to +312 lb/cf)
Fluid pressure range (nominal pressure)	<p>Flanges</p> <ul style="list-style-type: none"> ■ according to DIN PN 40 to 100 ■ according to ASME B16.5 Cl 150, Cl 300, Cl 600 ■ JIS 10K, 20K, 40K, 63K <p>Secondary containment</p> <p>The sensor Promass E has no secondary containment.</p>
Rupture disk in the sensor housing (optional)	<p>The sensor housing protects the inner electronics and mechanics and is filled with dry nitrogen. The housing of this sensor does not fulfill any additional secondary containment function. However, 15 bar (217.5 psi) can be specified as a reference value for the pressure loading capacity.</p> <p>For increased safety, a version with rupture disk (triggering pressure 10 to 15 bar / 145 to 217.5 psi) can be used, which is available for order as a separate option.</p> <p>Further information → 40.</p>
Limiting flow	<p>See information in the "Measuring range" section → 6.</p> <p>Select nominal diameter by optimizing between required flow range and permissible pressure loss. See the "Measuring range" section for a list of maximum possible full scale values.</p> <ul style="list-style-type: none"> ■ The minimum recommended full scale value is approx. 1/20 of the max. full scale value. ■ In most applications, 20 to 50% of the maximum full scale value can be considered ideal ■ Select a lower full scale value for abrasive substances such as fluids with entrained solids (flow velocity <1 m/s (<3 ft/s)). ■ For gas measurement the following rules apply: <ul style="list-style-type: none"> - Flow velocity in the measuring tubes should not be more than half the sonic velocity (0.5 Mach). - The maximum mass flow depends on the density of the gas: formula → 6
Pressure loss	<p>Pressure loss depends on the fluid properties and on the flow rate. The following formulae can be used to approximately calculate the pressure loss:</p>

Reynolds number	$Re = \frac{2 \cdot \dot{m}}{\pi \cdot d \cdot v \cdot \rho}$ <div style="text-align: right; font-size: small;">#0004623</div>
$Re \geq 2300^{1)}$	$\Delta p = K \cdot v^{0.25} \cdot \dot{m}^{1.85} \cdot \rho^{-0.86}$ <div style="text-align: right; font-size: small;">#0004626</div>
$Re < 2300$	$\Delta p = K1 \cdot v \cdot \dot{m} + \frac{K2 \cdot v^{0.25} \cdot \dot{m}^2}{\rho}$ <div style="text-align: right; font-size: small;">#0004628</div>
<div style="display: flex; justify-content: space-between; font-size: small;"> <div> <p>Δp = pressure loss [mbar]</p> <p>v = kinematic viscosity [m²/s]</p> <p>\dot{m} = mass flow [kg/s]</p> </div> <div> <p>ρ = fluid density [kg/m³]</p> <p>d = inside diameter of measuring tubes [m]</p> <p>K to $K2$ = constants (depending on nominal diameter)</p> </div> </div> <p>¹⁾ To compute the pressure loss for gases, always use the formula for $Re \geq 2300$.</p>	

Pressure loss coefficients

DN	d[m]	K	K1	K2
8	$5.35 \cdot 10^{-3}$	$5.70 \cdot 10^7$	$7.91 \cdot 10^7$	$2.10 \cdot 10^7$
15	$8.30 \cdot 10^{-3}$	$7.62 \cdot 10^6$	$1.73 \cdot 10^7$	$2.13 \cdot 10^6$
25	$12.00 \cdot 10^{-3}$	$1.89 \cdot 10^6$	$4.66 \cdot 10^6$	$6.11 \cdot 10^5$
40	$17.60 \cdot 10^{-3}$	$4.42 \cdot 10^5$	$1.35 \cdot 10^6$	$1.38 \cdot 10^5$
50	$26.00 \cdot 10^{-3}$	$8.54 \cdot 10^4$	$4.02 \cdot 10^5$	$2.31 \cdot 10^4$
80	$40.50 \cdot 10^{-3}$	$1.44 \cdot 10^4$	$5.00 \cdot 10^5$	$2.30 \cdot 10^4$

*Pressure loss diagram for water***Pressure loss (US units)**

Pressure loss is dependent on fluid properties nominal diameter. Consult Endress+Hauser for Applicator PC software to determine pressure loss in US units. All important instrument data is contained in the Applicator software program in order to optimize the design of measuring system. The software is used for following calculations:

- Nominal diameter of the sensor with fluid characteristics such as viscosity, density, etc.
- Pressure loss downstream of the measuring point.
- Converting mass flow to volume flow, etc.
- Simultaneous display of various meter size.
- Determining measuring ranges.

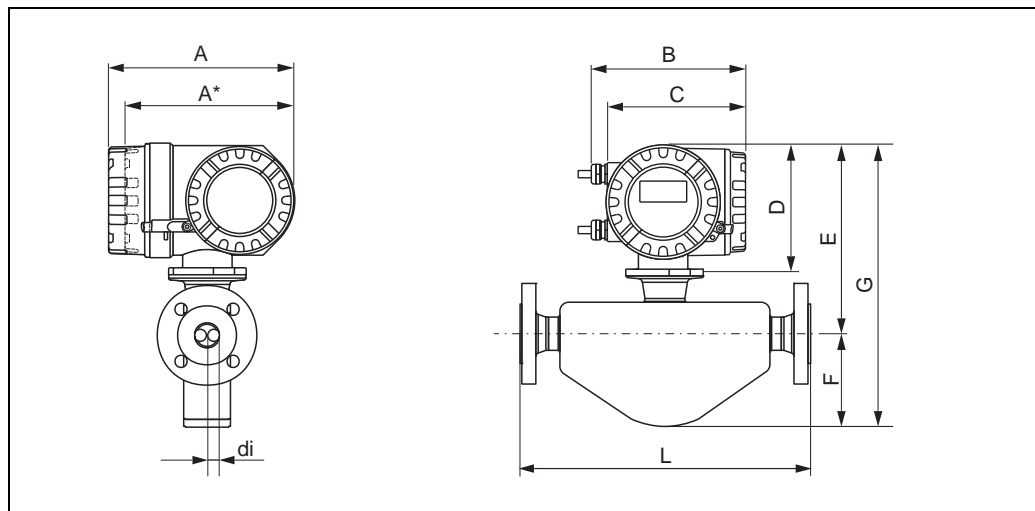
The Applicator runs on any IBM compatible PC with windows.

Mechanical construction

Design, dimensions

Dimensions:	
Field housing compact version, powder-coated die-cast aluminum	→ 24
Field housing compact version (II2G/Zone 1), powder-coated die-cast aluminum	→ 25
Transmitter connection housing remote version (II2G/Zone 1)	→ 26
Transmitter remote version, wall-mount housing (non hazardous area and II3G / zone 2)	→ 27
Sensor remote version, connection housing	→ 28
Process connections in SI units	
Flange connections EN (DIN)	→ 29
Flange connections ASME B16.5	→ 30
Flange connections JIS	→ 31
VCO connections	→ 32
Tri-Clamp	→ 33
DIN 11851 (threaded hygienic connection)	→ 34
DIN 11864-1 Form A (threaded hygienic connection)	→ 34
DIN 11864-2 Form A (flat flange with groove)	→ 35
ISO 2853 (threaded hygienic connection)	→ 36
SMS 1145 (threaded hygienic connection)	→ 36
Process connections in SI units	
Flange connections ASME B16.5	→ 37
VCO connections	→ 38
Tri-Clamp	→ 39
SMS 1145 (threaded hygienic connection)	→ 40
Rupture disc	→ 40

Field housing compact version, powder-coated die-cast aluminum



A0007638

Dimensions SI units

DN	A	A*	B	C	D	E	F	G	L	di
8	227	207	187	168	160	224	93	317	¹⁾	¹⁾
15	227	207	187	168	160	226	105	331	¹⁾	¹⁾
25	227	207	187	168	160	231	106	337	¹⁾	¹⁾
40	227	207	187	168	160	237	121	358	¹⁾	¹⁾
50	227	207	187	168	160	253	170	423	¹⁾	¹⁾
80	227	207	187	168	160	282	205	487	¹⁾	¹⁾

¹⁾ dependent on respective process connection

* Blind version (without local display)

All dimensions in [mm]

Dimensions in US units

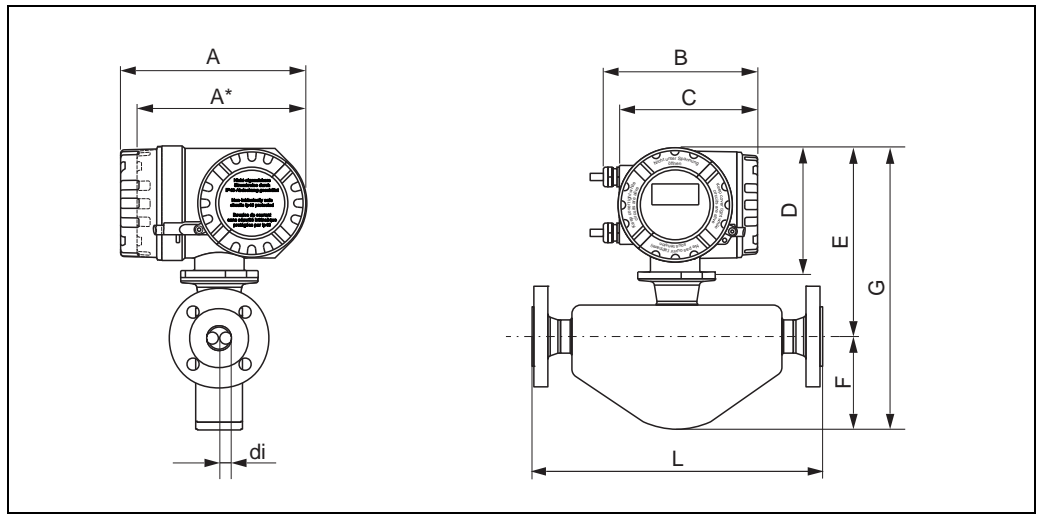
DN	A	A*	B	C	D	E	F	G	L	di
3/8"	9.08	8.28	7.48	6.72	6.40	8.82	3.66	12.48	²⁾	²⁾
1/2"	9.08	8.28	7.48	6.72	6.40	8.90	4.13	13.03	²⁾	²⁾
1"	9.08	8.28	7.48	6.72	6.40	9.09	4.17	13.27	²⁾	²⁾
1 1/2"	9.08	8.28	7.48	6.72	6.40	9.33	4.76	14.09	²⁾	²⁾
2"	9.08	8.28	7.48	6.72	6.40	9.96	6.69	16.65	²⁾	²⁾
3"	9.08	8.28	7.48	6.72	6.40	11.10	8.07	19.17	²⁾	²⁾

¹⁾ dependent on respective process connection

* Blind version (without local display)

All dimensions in [inch]

Field housing compact version (II2G/Zone 1), powder-coated die-cast aluminum



A0015135

Dimensions SI units

DN	A	A*	B	C	D	E	F	G	L	di
8	240	217	206	186	178	242	93	335	1)	1)
15	240	217	206	186	178	244	105	349	1)	1)
25	240	217	206	186	178	249	106	355	1)	1)
40	240	217	206	186	178	255	121	376	1)	1)
50	240	217	206	186	178	271	170	441	1)	1)
80	240	217	206	186	178	300	205	505	1)	1)

¹⁾ dependent on respective process connection

* Blind version (without local display)

All dimensions in [mm]

Dimensions in US units

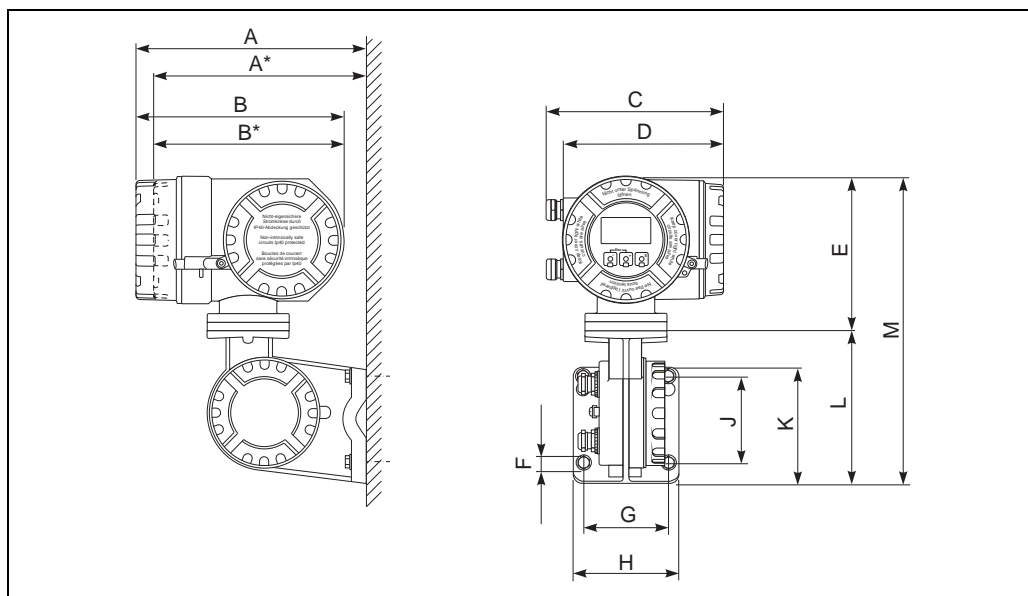
DN	A	A*	B	C	D	E	F	G	L	di
3/8"	9,45	8,54	8,11	7,32	7,01	9,52	3,66	13,18	1)	1)
1/2"	9,45	8,54	8,11	7,32	7,01	9,60	4,13	13,73	1)	1)
1"	9,45	8,54	8,11	7,32	7,01	9,79	4,17	13,97	1)	1)
1 1/2"	9,45	8,54	8,11	7,32	7,01	10,03	4,76	14,79	1)	1)
2"	9,45	8,54	8,11	7,32	7,01	10,66	6,69	17,35	1)	1)
3"	9,45	8,54	8,11	7,32	7,01	11,80	8,07	19,87	1)	1)

¹⁾ dependent on respective process connection

* Blind version (without local display)

All dimensions in [inch]

Transmitter connection housing remote version (II2G/Zone 1)



a0002128

Dimensions in SI units

A	A*	B	B*	C	D	E	F Ø	G	H	J	K	L	M
265	242	240	217	206	186	178	8,6 (M8)	100	130	100	144	170	348

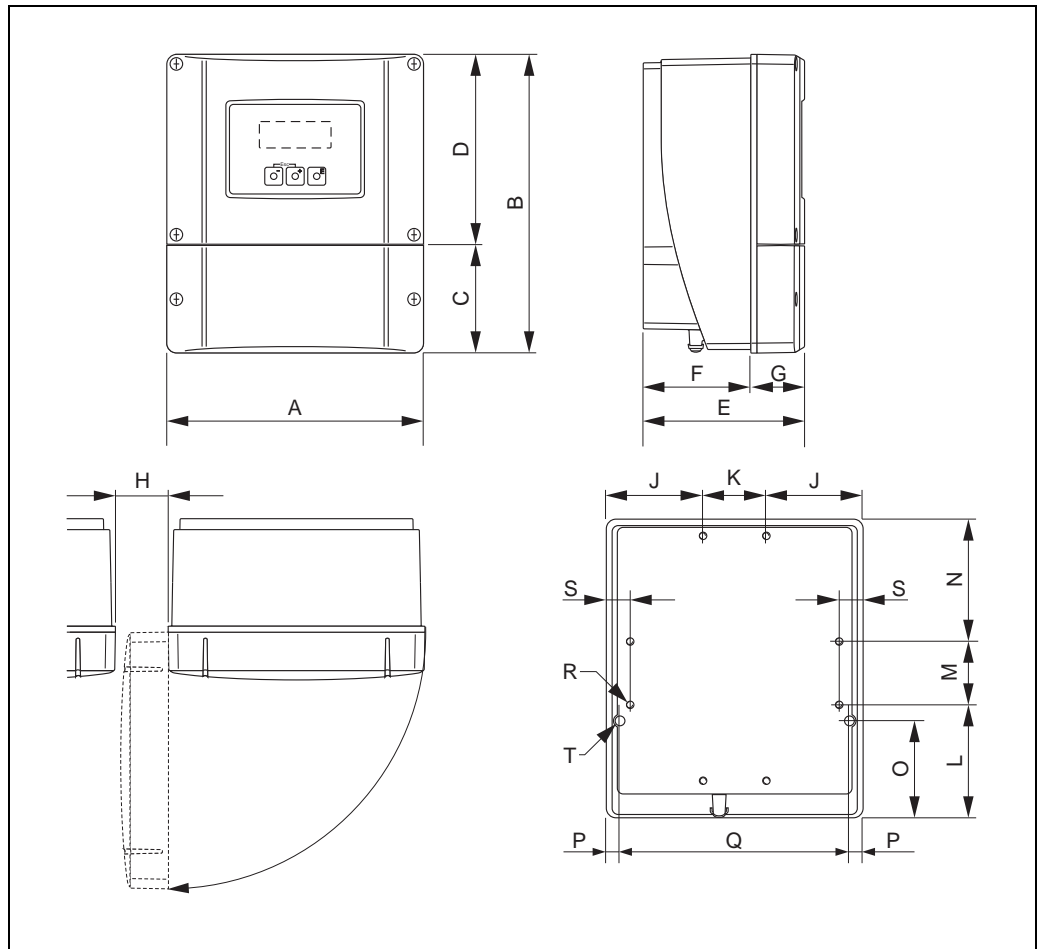
* Blind version (without local display)
All dimensions in [mm]

Dimensions in US units

A	A*	B	B*	C	D	E	F Ø	G	H	J	K	L	M
10.4	9.53	9.45	8.54	8.11	7.32	7.01	0,34 (M8)	3.94	5.12	3.94	5.67	6.69	13.7

* Blind version (without local display)
All dimensions in [inch]

Transmitter remote version, wall-mount housing (non hazardous area and II3G / zone 2)



a0001150

Dimensions in SI units

A	B	C	D	E	F	G	H	J
215	250	90.5	159.5	135	90	45	>50	81
K	L	M	N	O	P	Q	R	S
53	95	53	102	81.5	11.5	192	8 × M5	20

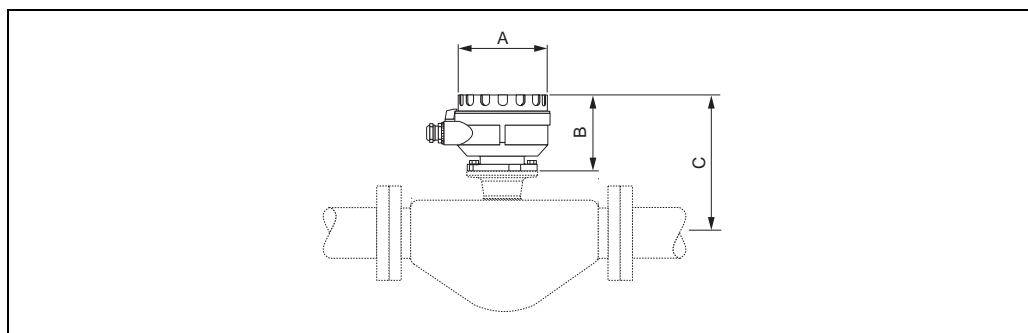
All dimensions in [mm]

Dimensions in US units

A	B	C	D	E	F	G	H	J
8.46	9.84	3.56	6.27	5.31	3.54	1.77	>1.97	3.18
K	L	M	N	O	P	Q	R	S
2.08	3.74	2.08	4.01	3.20	0.45	7.55	8 × M5	0.79

All dimensions in [inch]

Sensor remote version, connection housing



a0007637

Dimensions in SI units

DN	A	B	C
8	129	102	166
15	129	102	168
25	129	102	173
40	129	102	179
50	129	102	195
80	129	102	224

All dimensions in [mm]

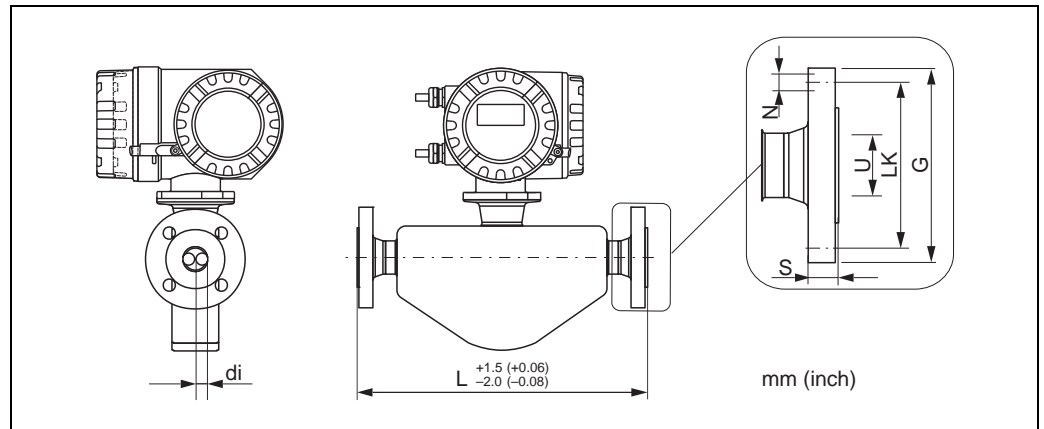
Dimensions in US units

DN	A	B	C
3/8"	5.08	4.02	6.54
1/2"	5.08	4.02	6.61
1"	5.08	4.02	6.81
1 1/2"	5.08	4.02	7.05
2"	5.08	4.02	7.68
3"	5.08	4.02	8.82

All dimensions in [inch]

Process connections in SI units

Flange connections EN (DIN), ASME B16.5, JIS



Flange connections EN (DIN)

Flange according to EN 1092-1 (DIN 2501 / DIN 2512N ¹⁾ / PN 40: 1.4404/316L
 Surface roughness (flange): EN 1092-1 Form B1 (DIN 2526 Form C), Ra 3.2 to 12.5 µm

DN	G	L	N	S	LK	U	di
8	95	232	4 × Ø14	16	65	17.3	5.35
15	95	279/510 ²⁾	4 × Ø14	16	65	17.3	8.30
25	115	329/600 ²⁾	4 × Ø14	18	85	28.5	12.0
40	150	445	4 × Ø18	18	110	43.1	17.6
50	165	556/715 ²⁾	4 × Ø18	20	125	54.5	26.0
80	200	610/915 ²⁾	8 × Ø18	24	160	82.5	40.5

¹⁾ Flange with groove according to EN 1092-1 Form D (DIN 2512N) available
²⁾ Installation length according to NAMUR recommendation NE 132 optionally available
 All dimensions in [mm]

Flange according to EN 1092-1 (DIN 2501) / PN 40 (with DN 25-flanges): 1.4404/316L
 Surface roughness (flange): EN 1092-1 Form B1 (DIN 2526 Form C), Ra 3.2 to 12.5 µm

DN	G	L	N	S	LK	U	di
8	115	329	4 × Ø14	18	85	28.5	5.35
15	115	329	4 × Ø14	18	85	28.5	8.30

All dimensions in [mm]

Flange according to EN 1092-1 (DIN 2501 / DIN 2512N ¹⁾ / PN 63: 1.4404/316L
 Surface roughness (flange): EN 1092-1 Form B2 (DIN 2526 Form E), Ra 0.8 to 3.2 µm

DN	G	L	N	S	LK	U	di
50	180	565	4 × Ø22	26	135	54,5	26,0
80	215	650	8 × Ø22	28	170	81,7	40,5

¹⁾ Flange with groove according to EN 1092-1 Form D (DIN 2512N) available
 All dimensions in [mm]

Flange EN 1092-1 (DIN 2501 / DIN 2512N ¹⁾) / PN 100: 1.4404/316L							
Surface roughness (flange): EN 1092-1 Form B2 (DIN 2526 Form E), Ra 0.8 to 3.2 µm							
DN	G	L	N	S	LK	U	di
8	105	261	4 × Ø14	20	75	17.3	5.35
15	105	295	4 × Ø14	20	75	17.3	8.30
25	140	360	4 × Ø18	24	100	28.5	12.0
40	170	486	4 × Ø22	26	125	42.5	17.6
50	195	581	4 × Ø26	28	145	53.9	26.0
80	230	660	8 × Ø26	32	180	80.9	40.5

¹⁾ Flange with groove to EN 1092-1 Form D (DIN 2512N) available
All dimensions in [mm]

Flange connections ASME B16.5

Flange according to ASME B16.5 / Cl 150: 1.4404/316L							
DN	G	L	N	S	LK	U	di
8	88.9	232	4 × Ø15.7	11.2	60.5	15.7	5.35
15	88.9	279	4 × Ø15.7	11.2	60.5	15.7	8.30
25	108.0	329	4 × Ø15.7	14.2	79.2	26.7	12.0
40	127.0	445	4 × Ø15.7	17.5	98.6	40.9	17.6
50	152.4	556	4 × Ø19.1	19.1	120.7	52.6	26.0
80	190.5	610	4 × Ø19.1	23.9	152.4	78.0	40.5

All dimensions in [mm]

Flange according to ASME B16.5 / Cl 300: 1.4404/316L							
DN	G	L	N	S	LK	U	di
8	95.2	232	4 × Ø15.7	14.2	66.5	15.7	5.35
15	95.2	279	4 × Ø15.7	14.2	66.5	15.7	8.30
25	123.9	329	4 × Ø19.0	17.5	88.9	26.7	12.0
40	155.4	445	4 × Ø22.3	20.6	114.3	40.9	17.6
50	165.1	556	8 × Ø19.0	22.3	127.0	52.6	26.0
80	209.5	610	8 × Ø22.3	28.4	168.1	78.0	40.5

All dimensions in [mm]

Flange according to ASME B16.5 / Cl 600: 1.4404/316L							
DN	G	L	N	S	LK	U	di
8	95.3	261	4 × Ø15.7	20.6	66.5	13.9	5.35
15	95.3	295	4 × Ø15.7	20.6	66.5	13.9	8.30
25	124.0	380	4 × Ø19.1	23.9	88.9	24.3	12.0
40	155.4	496	4 × Ø22.4	28.7	114.3	38.1	17.6
50	165.1	583	8 × Ø19.1	31.8	127.0	49.2	26.0
80	209.6	672	8 × Ø22.4	38.2	168.1	73.7	40.5

All dimensions in [mm]

Flange connections JIS

Flange JIS B2220 / 10K: SUS 316L							
DN	G	L	N	S	LK	U	di
50	155	556	4 × Ø19	16	120	50	26.0
80	185	605	8 × Ø19	18	150	80	40.5

All dimensions in [mm]

Flange JIS B2220 / 20K: SUS 316L							
DN	G	L	N	S	LK	U	di
8	95	232	4 × Ø15	14	70	15	5.35
15	95	279	4 × Ø15	14	70	15	8.30
25	125	329	4 × Ø19	16	90	25	12.0
40	140	445	4 × Ø19	18	105	40	17.6
50	155	556	8 × Ø19	18	120	50	26.0
80	200	605	8 × Ø23	22	160	80	40.5

All dimensions in [mm]

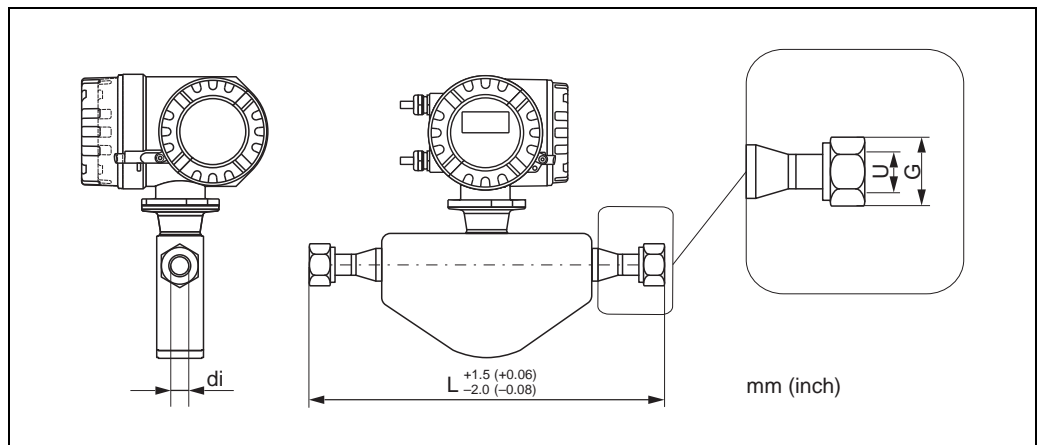
Flange JIS B2220 / 40K: SUS 316L							
DN	G	L	N	S	LK	U	di
8	115	261	4 × Ø19	20	80	15	5.35
15	115	300	4 × Ø19	20	80	15	8.30
25	130	375	4 × Ø19	22	95	25	12.0
40	160	496	4 × Ø23	24	120	38	17.6
50	165	601	8 × Ø19	26	130	50	26.0
80	210	662	8 × Ø23	32	170	75	40.5

All dimensions in [mm]

Flange JIS B2220 / 63K: SUS 316L							
DN	G	L	N	S	LK	U	di
8	120	282	4 × Ø19	23	85	12	5.35
15	120	315	4 × Ø19	23	85	12	8.30
25	140	383	4 × Ø23	27	100	22	12.0
40	175	515	4 × Ø25	32	130	35	17.6
50	185	616	8 × Ø23	34	145	48	26.0
80	230	687	8 × Ø25	40	185	73	40.5

All dimensions in [mm]

VCO connections

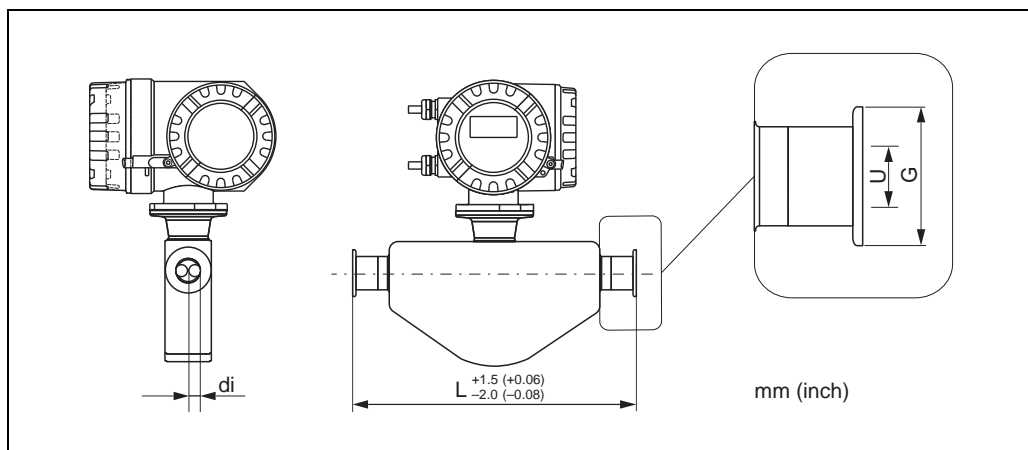


a0007641-ae

VCO connections: 1.4404/316L				
DN	G	L	U	di
8	1" AF	252	10.2	5.35
15	1½" AF	305	15.7	8.30

All dimensions in [mm]

Tri-Clamp



a0007643-ae

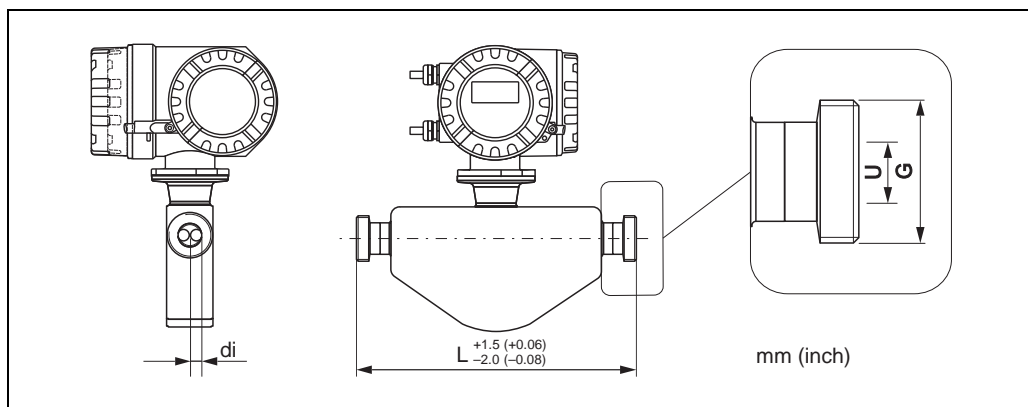
1", 1½", 2" -Tri-Clamp: 1.4404/316L					
DN	Clamp	G	L	U	di
8	1"	50.4	229	22.1	5.35
15	1"	50.4	273	22.1	8.30
25	1"	50.4	324	22.1	12.0
40	1½"	50.4	456	34.8	17.6
50	2"	63.9	562	47.5	26.0
80	3"	90.9	672	72.9	40.5

3A version also available (Ra ≤ 0.8 μm/150 grit.)
All dimensions in [mm]

½"-Tri-Clamp: 1.4404/316L					
DN	Clamp	G	L	U	di
8	½"	25.0	229	9.5	5.35
15	½"	25.0	273	9.5	8.30

3A version also available (Ra ≤ 0.8 μm/150 grit.)
All dimensions in [mm]

DIN 11851 (threaded hygienic connection)

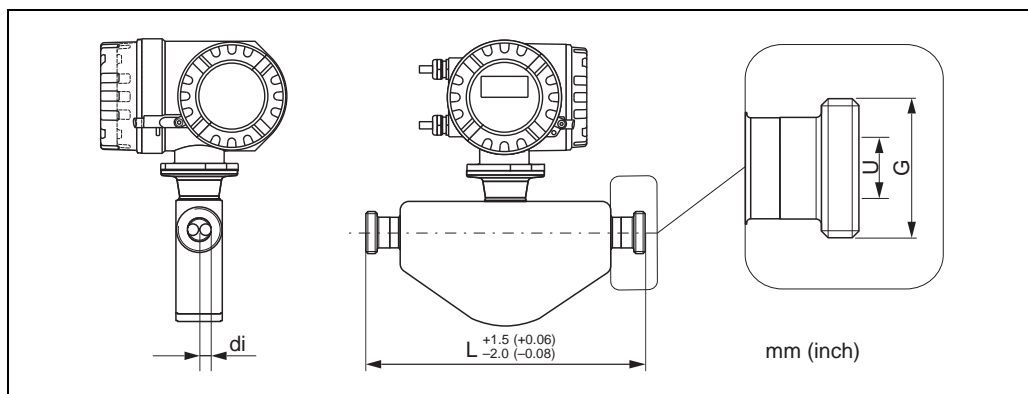


a0007644-ae

Threaded hygienic connection DIN 11851: 1.4404/316L				
DN	G	L	U	di
8	Rd 34 × 1/8"	229	16	5.35
15	Rd 34 × 1/8"	273	16	8.30
25	Rd 52 × 1/6"	324	26	12.0
40	Rd 65 × 1/6"	456	38	17.6
50	Rd 78 × 1/6"	562	50	26.0
80	Rd 110 × 1/4"	672	81	40.5

3A version also available (Ra ≤ 0.8 µm/150 grit.); All dimensions in [mm]

DIN 11864-1 Form A (threaded hygienic connection)

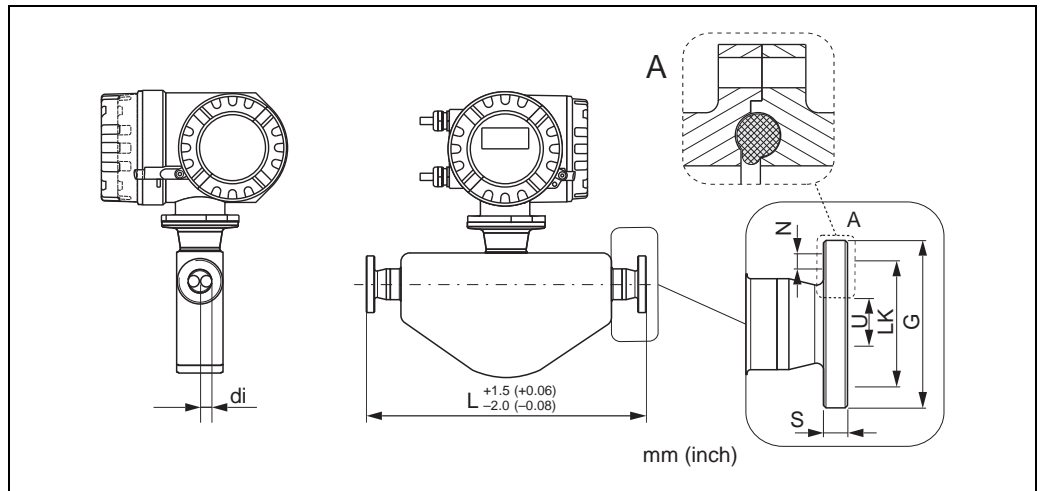


a0007649-ae

Threaded hygienic connection DIN 11864-1 Form A: 1.4404/316L				
DN	G	L	U	di
8	Rd 28 × 1/8"	229	10	5.35
15	Rd 34 × 1/8"	273	16	8.30
25	Rd 52 × 1/6"	324	26	12.00
40	Rd 65 × 1/6"	456	38	17.60
50	Rd 78 × 1/6"	562	50	26.00
80	Rd 110 × 1/4"	672	81	40.5

3A version also available (Ra ≤ 0.8 µm/150 grit.); All dimensions in [mm]

DIN 11864-2 Form A (flat flange with groove)

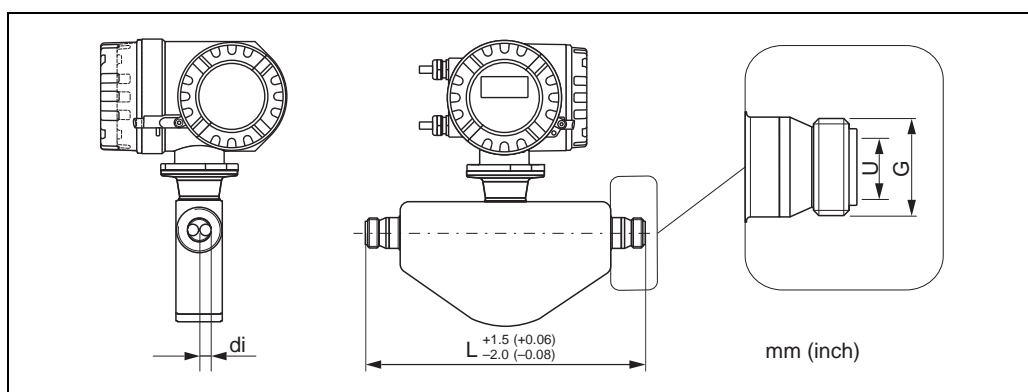


20007649-02

DIN 11864-2 Form A (flat flange with groove): 1.4404/316L							
DN	G	L	N	S	LK	U	di
8	54	249	4 × Ø9	10	37	10	5.35
15	59	293	4 × Ø9	10	42	16	8.30
25	70	344	4 × Ø9	10	53	26	12.0
40	82	456	4 × Ø9	10	65	38	17.6
50	94	562	4 × Ø9	10	77	50	26.0
80	133	672	8 × Ø11	12	112	81	40.5

3A version also available (Ra ≤ 0.8 µm/150 grit.)
All dimensions in [mm]

ISO 2853 (threaded hygienic connection)

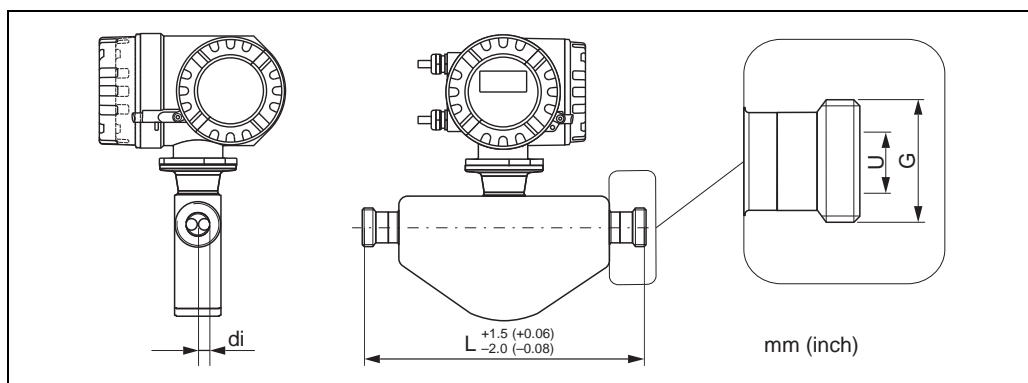


a0007651-ae

Threaded hygienic connection ISO 2853: 1.4404/316L				
DN	G ¹⁾	L	U	di
8	37.13	229	22.6	5.35
15	37.13	273	22.6	8.30
25	37.13	324	22.6	12.0
40	50.68	456	35.6	17.6
50	64.16	562	48.6	26.0
80	91.19	672	72.9	40.5

¹⁾ Max. thread diameter to ISO 2853 Annex A; 3A version also available (Ra ≤ 0.8 µm/150 grit.)
All dimensions in [mm]

SMS 1145 (threaded hygienic connection)



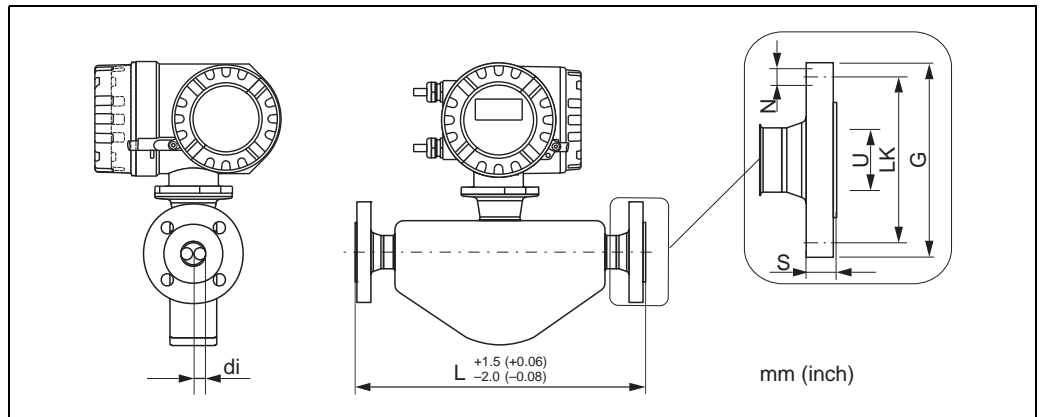
a0007653-ae

Threaded hygienic connection SMS 1145: 1.4404/316L				
DN	G	L	U	di
8	Rd 40 × 1/6"	229	22.5	5.35
15	Rd 40 × 1/6"	273	22.5	8.30
25	Rd 40 × 1/6"	324	22.5	12.0
40	Rd 60 × 1/6"	456	35.5	17.6
50	Rd 70 × 1/6"	562	48.5	26.0
80	Rd 98 × 1/6"	672	72.9	40.5

3A version also available (Ra ≤ 0.8 µm/150 grit.); All dimensions in [mm]

Process connections in US units

Flange connections ASME B16.5



Flange according to ASME B16.5 / CI 150: 1.4404/316L

DN	G	L	N	S	LK	U	di
3/8"	3.50	9.13	4 × Ø0.62	0.44	2.38	0.62	0.21
1/2"	3.50	10.98	4 × Ø0.62	0.44	2.38	0.62	0.33
1"	4.25	12.95	4 × Ø0.62	0.56	3.12	1.05	0.47
1 1/2"	5.00	17.52	4 × Ø0.62	0.69	3.88	1.61	0.69
2"	6.00	21.89	4 × Ø0.75	0.75	4.75	2.07	1.02
3"	7.50	24.02	4 × Ø0.75	0.94	6.00	3.07	1.59

All dimensions in [inch]

Flange according to ASME B16.5 / CI 300: 1.4404/316L

DN	G	L	N	S	LK	U	di
3/8"	3.75	9.13	4 × Ø0.62	0.56	2.62	0.62	0.21
1/2"	3.75	10.98	4 × Ø0.62	0.56	2.62	0.62	0.33
1"	4.88	12.95	4 × Ø0.75	0.69	3.50	1.05	0.47
1 1/2"	6.12	17.52	4 × Ø0.88	0.81	4.50	1.61	0.69
2"	6.50	21.89	4 × Ø0.75	0.88	5.00	2.07	1.02
3"	8.25	24.02	8 × Ø0.88	1.12	6.62	3.07	1.59

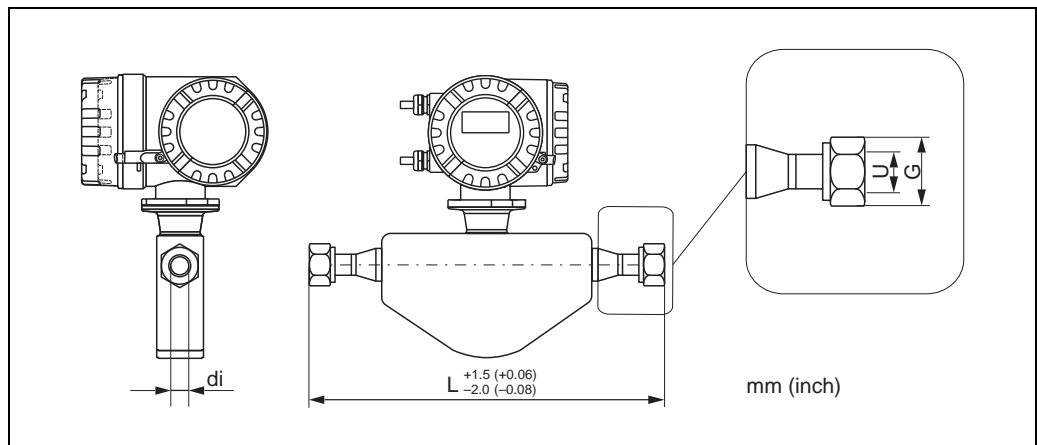
All dimensions in [inch]

Flange according to ASME B16.5 / CI 600: 1.4404/316L

DN	G	L	N	S	LK	U	di
3/8"	3.75	10.28	4 × Ø0.62	0.81	2.62	0.55	0.21
1/2"	3.75	11.61	4 × Ø0.62	0.81	2.62	0.55	0.33
1"	4.88	14.96	4 × Ø0.75	0.94	3.50	0.96	0.47
1 1/2"	6.12	19.53	4 × Ø0.88	1.13	4.50	1.50	0.69
2"	6.50	22.95	4 × Ø0.75	1.25	5.00	1.94	1.02
3"	8.25	24.46	8 × Ø0.88	1.50	6.62	2.90	1.59

All dimensions in [inch]

VCO connections

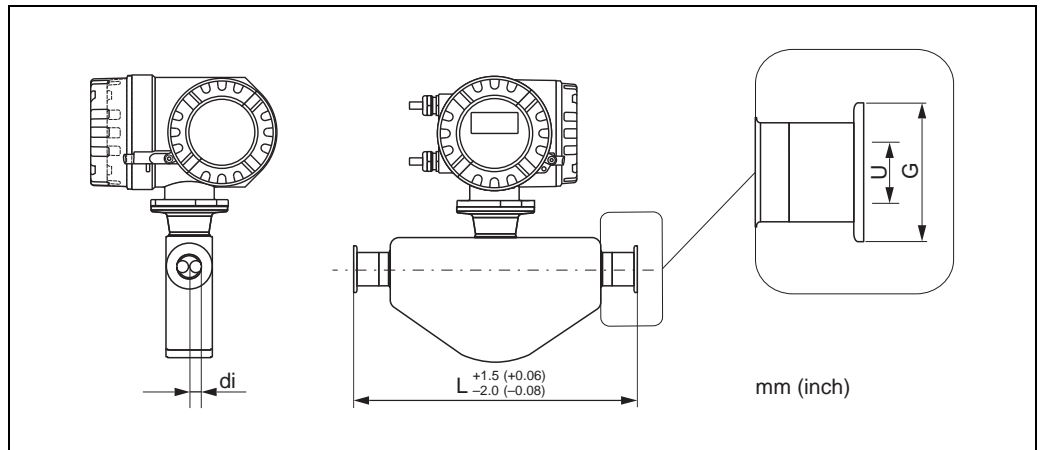


a0007641-ae

VCO connections: 1.4404/316L				
DN	G	L	U	di
3/8"	1" AF	9.92	0.40	0.21
1/2"	1 1/2" AF	12.01	0.62	0.33

All dimensions in [inch]

Tri-Clamp



a0007643-ae

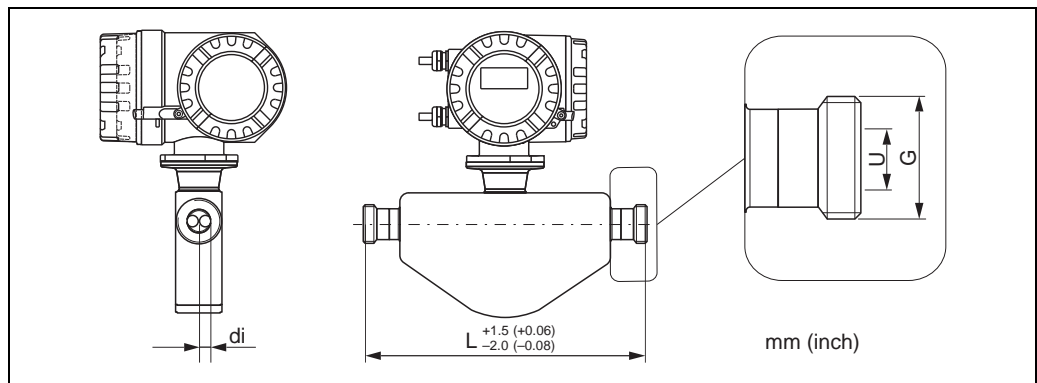
1", 1½", 2" -Tri-Clamp: 1.4404/316L					
DN	Clamp	G	L	U	di
3/8"	1"	1.98	9.02	0.87	0.21
½"	1"	1.98	10.75	0.87	0.33
1"	1"	1.98	12.76	0.87	0.47
1½"	1½"	1.98	17.95	1.37	0.69
2"	2"	2.52	22.13	1.87	1.02
3"	3"	3.58	26.46	2.87	1.59

3A version also available (Ra ≤ 30 µin/150 grit.)
All dimensions in [inch]

½"-Tri-Clamp: 1.4404/316L					
DN	Clamp	G	L	U	di
3/8"	½"	0.98	9.02	0.37	0.21
½"	½"	0.98	10.75	0.37	0.33

3A version also available (Ra ≤ 30 µin/150 grit.)
All dimensions in [inch]

SMS 1145 (threaded hygienic connection)



a0007653-ae

Threaded hygienic connection SMS 1145: 1.4404/316L				
DN	G	L	U	di
3/8"	Rd 40 × 1/6"	9.02	0.89	0.21
1/2"	Rd 40 × 1/6"	10.75	0.89	0.33
1"	Rd 40 × 1/6"	12.76	0.89	0.47
1 1/2"	Rd 60 × 1/6"	17.95	1.40	0.69
2"	Rd 70 × 1/6"	22.13	1.91	1.02
3"	Rd 98 × 1/6"	26.46	2.87	1.59

3A version also available (Ra ≤ 30 µin/150 grit.); All dimensions in [inch]

Rupture disc

Sensor housings with integrated rupture disks are optionally available.



Warning!

- Make sure that the function and operation of the rupture disk is not impeded through the installation. Triggering overpressure in the housing as stated on the indication label. Take adequate precautions to ensure that no damage occurs, and risk to human life is ruled out, if the rupture disk is triggered. Rupture disk: Burst pressure 10 to 15 bar (145 to 217.5 psi).
- It is not permitted to open the connections or remove the rupture disk.



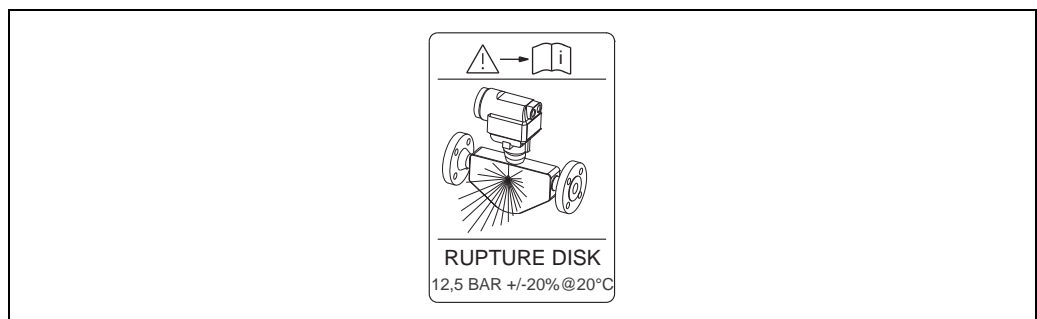
Caution!

Rupture disks can not be combined with separately available heating jacket.



Note!

- Please note the indication labels.



A0007823

Indication label for the rupture disk

The position of the rupture disk is indicated by an adhesive label on top of the disk. If the rupture disk is triggered, the adhesive label is damaged and can thus be visually monitored.

Weight

- Compact version: see table below
- Remote version
 - Sensor: see table below
 - Wall-mount housing: 5 kg (11 lb)

Weight in SI units

DN [mm]	8	15	25	40	50	80
Compact version	8	8	10	15	22	31
Remote version (sensor)	6	6	8	13	20	29

All values (weight) refer to devices with EN/DIN PN 40 flanges.
Weight information in [kg]

Weight in US units

DN [inch]	3/8"	1/2"	1"	1 1/2"	2"	3"
Compact version	18	18	22	33	49	69
Remote version (sensor)	13	13	18	29	44	64

All values (weight) refer to devices with EN/DIN PN 40 flanges.
Weight information in [lb]

Materials**Transmitter housing**

Compact version

- Powder coated die-cast aluminum
- Window material: glass

Remote version

- Remote field housing: powder-coated die-cast aluminum
- Wall-mount housing: powder coated die-cast aluminum
- Window material: glass

Sensor housing / containment

- Acid and alkali-resistant outer surface
- Stainless steel 1.4301/304

Connection housing, sensor (remote version)

Stainless steel 1.4301/304

Process connections

- Stainless steel 1.4404/316L
 - Flanges according to EN 1092-1 (DIN 2501) and according to ASME B16.5
 - DIN 11864-2 Form A (flat flange with groove)
 - Threaded hygienic connection: DIN 11851, SMS 1145, ISO 2853, DIN 11864-1 Form A
 - VCO connections
- Stainless steel SUS 316L
 - Flanges to JIS B2220

Measuring tubes

- Stainless steel EN 1.4539 / ASTM 904L
- Finish quality: $Ra_{max} \leq 0.8 \mu\text{m}/150 \text{ grit}$ (30 $\mu\text{in}/150 \text{ grit}$)

Seals

Welded process connections without internal seals

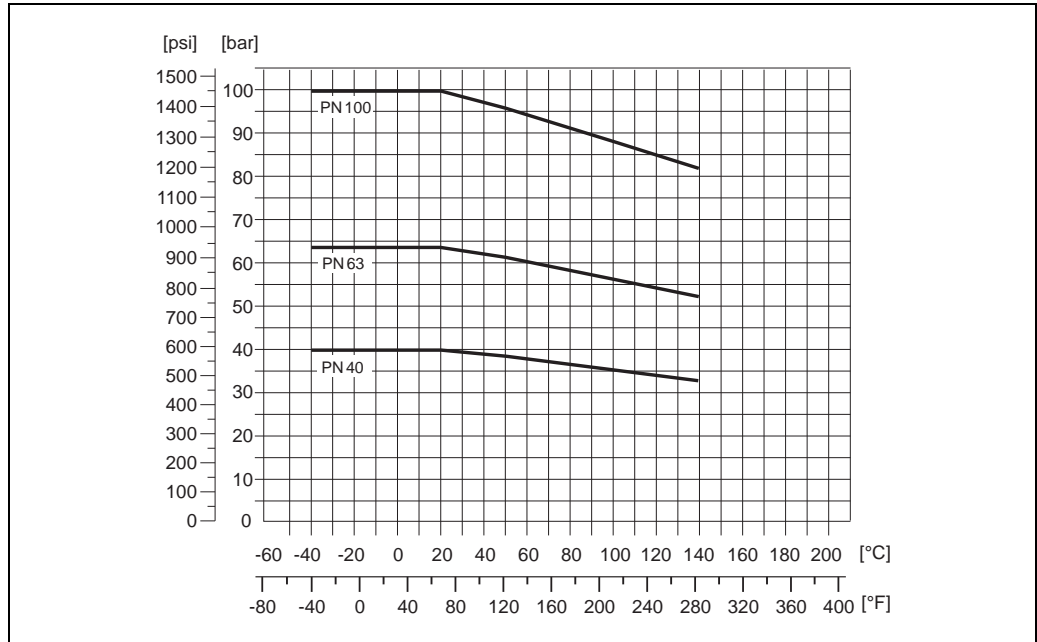
Material load curves



Warning!
The following material load curves refer to the entire sensor and not just the process connection.

Flange connection according to EN 1092-1 (DIN 2501)

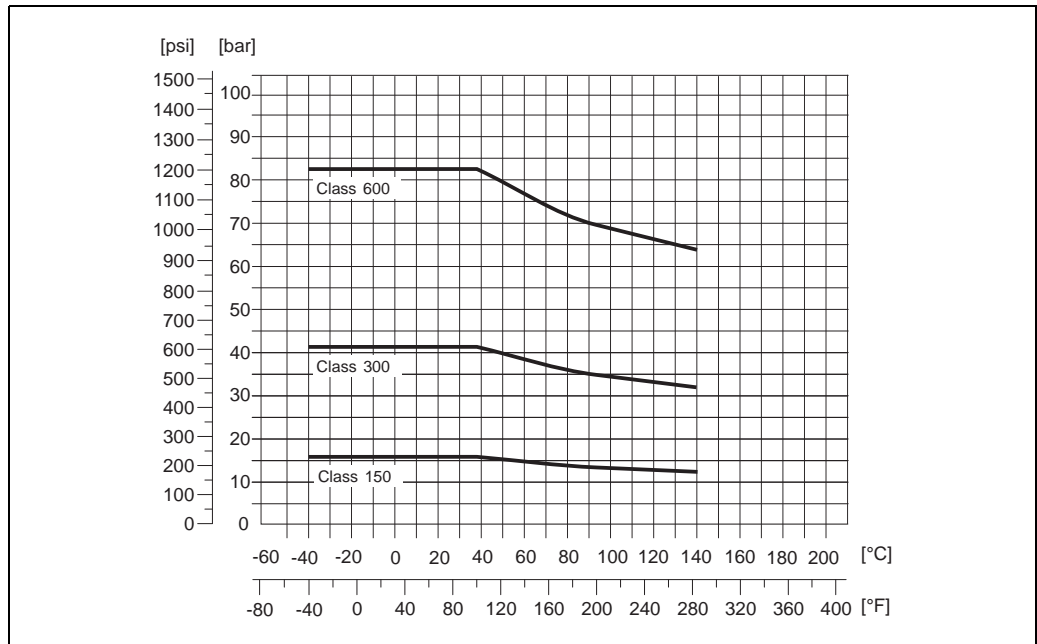
Flange material: 1.4404/316L



a0006904-ae

Flange connection according to ASME B16.5

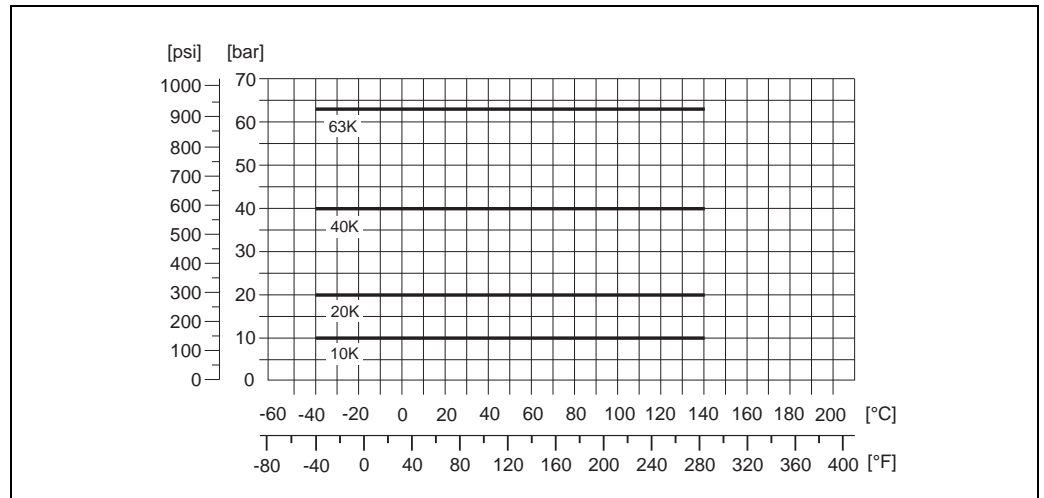
Flange material: 1.4404/316L



a0006905-ae

Flange connection to JIS B2220

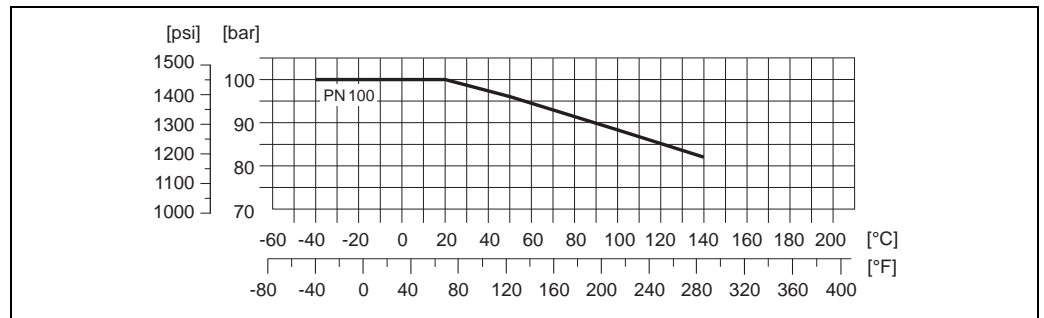
Flange material: SUS 316L



A0006908-ae

VCO process connection

Flange material: 1.4404/316L



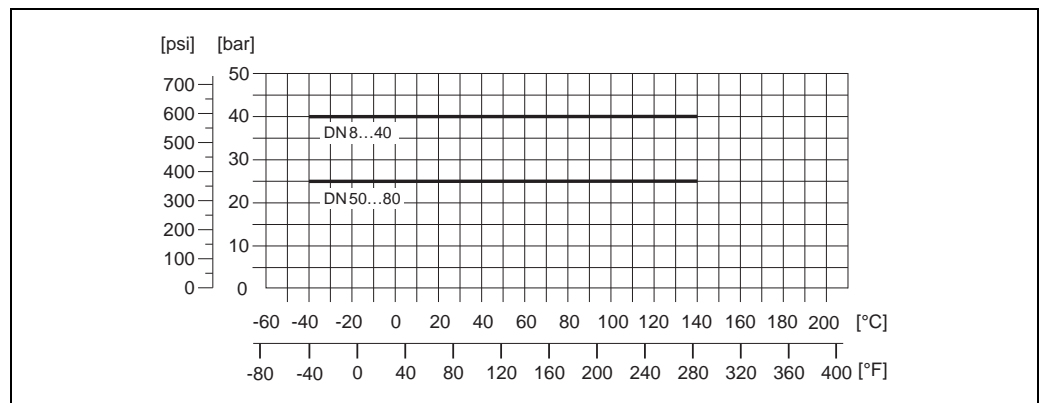
A0006908-ae

Tri-Clamp process connection

The Clamp connections are suited up to a maximum pressure of 16 bar (232 psi). Please observe the operating limits of the clamp and seal used as they could be under 16 bar (232 psi). The clamp and the seal are not included in the scope of supply.

Process connection to DIN 11851

Connection material: 1.4404/316L

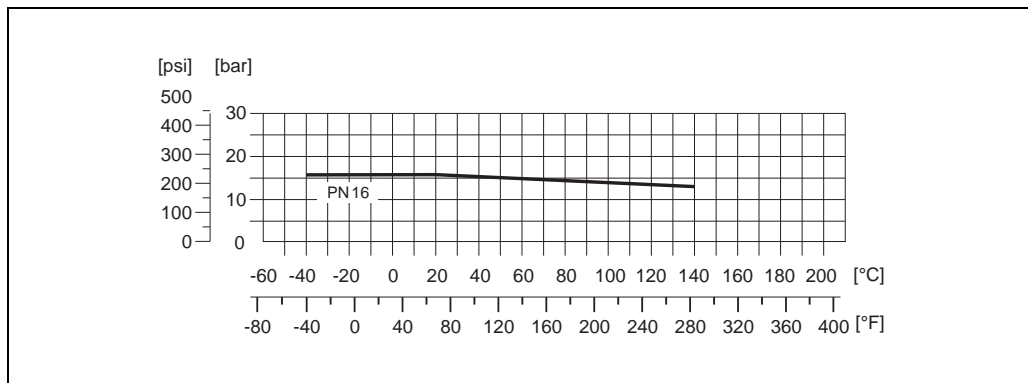


A0006909

DIN 11851 allows for applications up to +140 °C (+284 °F) if suitable sealing materials are used. Please take this into account when selecting seals and counterparts as these components can limit the pressure and temperature range.

Process connection to SMS 1145

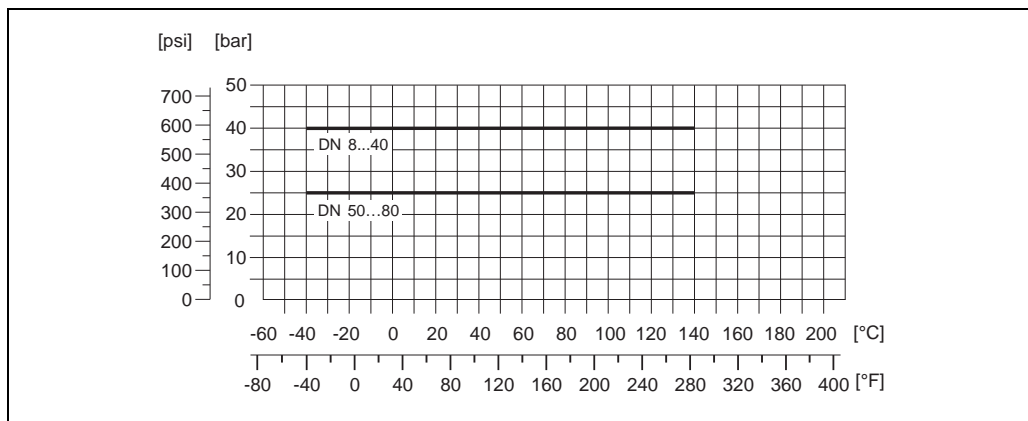
Connection material: 1.4404/316L



SMS 1145 allows for applications up to 6 bar (87 psi) if suitable sealing materials are used. Please take this into account when selecting seals and counterparts as these components can limit the pressure and temperature range.

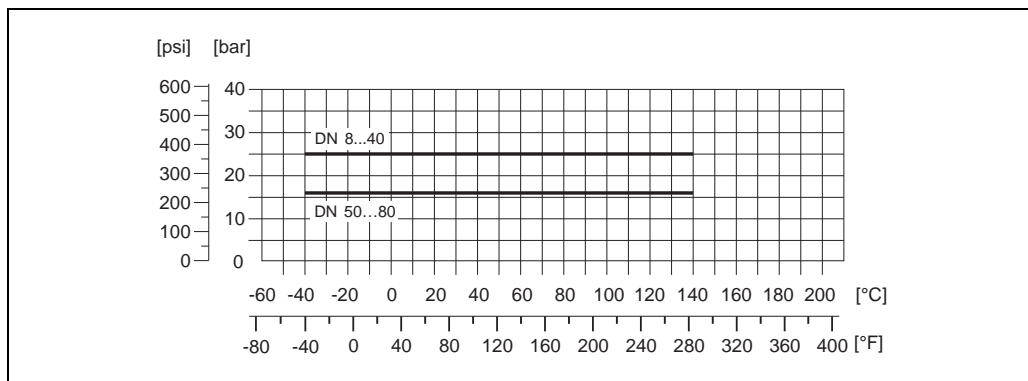
DIN 11864-1 Form A (threaded hygienic connection)

Connection material: 1.4404/316L



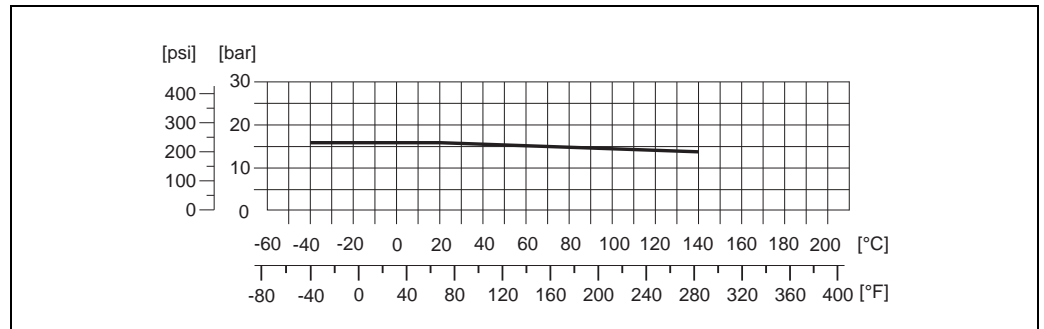
Flange connection to DIN 11864-2 Form A (flat flange with groove)

Flange material: 1.4404/316L



Threaded hygienic connection to ISO 2853

Connection material: 1.4404/316L



A0006912-ae

Process connections

Welded process connections

- Flanges according to EN 1092-1 (DIN 2501), according to ASME B16.5, JIS B2220, VCO connections
- Sanitary connections: Tri-Clamp, threaded hygienic connections (DIN 11851, SMS 1145, ISO 2853, DIN 11864-1), DIN 11864-2 Form A (flat flange with groove)

Human interface

Display elements

- Liquid-crystal display: backlit, two lines (Promass 80) or four lines (Promass 83) with 16 characters per line
- Selectable display of different measured values and status variables
- At ambient temperatures below -20 °C (-4 °F) the readability of the display may be impaired.

Operating elements

Promass 80

- Local operation with three keys ($\square/\square/\square$)
- Quick Setup menus for straightforward commissioning

Promass 83

- Local operation with three optical keys ($\square/\square/\square$)
- Application-specific Quick Setup menus for straightforward commissioning

Language groups

Language groups available for operation in different countries:

- Western Europe and America (WEA):
English, German, Spanish, Italian, French, Dutch and Portuguese
- Eastern Europe/Scandinavia (EES):
English, Russian, Polish, Norwegian, Finnish, Swedish and Czech
- South and Eastern Asia (SEA):
English, Japanese, Indonesian

Only Promass 83

- China (CN):
English, Chinese

The language group is changed using the "FieldCare" operating program.

Remote operation

Promass 80

Remote operation via HART, PROFIBUS PA

Promass 83

Remote operation via HART, PROFIBUS DP/PA, FOUNDATION fieldbus, MODBUS RS485

Certificates and approvals

CE mark	The measuring system is in conformity with the statutory requirements of the EC Directives. Endress+Hauser confirms successful testing of the device by affixing to it the CE mark.
C-Tick symbol	The measuring system complies with the EMC requirements of the "Australian Communications and Media Authority (ACMA)"
Ex approval	Information about currently available Ex versions (ATEX, FM, CSA, IECEx, NEPSI etc.) can be supplied by your Endress+Hauser Sales Center on request. All information relevant to explosion protection is available in separate Ex documents that you can order as necessary.
Hygienic compatibility	3A approval
FOUNDATION Fieldbus certification	<p>The flow device has successfully passed all the test procedures carried out and is certified and registered by the Fieldbus Foundation. The device thus meets all the requirements of the following specifications:</p> <ul style="list-style-type: none"> ■ Certified to FOUNDATION Fieldbus Specification ■ The device meets all the specifications of the FOUNDATION Fieldbus H1. ■ Interoperability Test Kit (ITK), revision status 5.01 (device certification number: on request) ■ The device can also be operated with certified devices of other manufacturers ■ Physical Layer Conformance Test of the Fieldbus Foundation
PROFIBUS DP/PA certification	<p>The flow device has successfully passed all the test procedures carried out and is certified and registered by the PNO (PROFIBUS User Organization). The device thus meets all the requirements of the following specifications:</p> <ul style="list-style-type: none"> ■ Certified in accordance with PROFIBUS Profile Version 3.0 (device certification number: available on request) ■ The device can also be operated with certified devices of other manufacturers (interoperability)
MODBUS certification	The measuring device meets all the requirements of the MODBUS/TCP conformity test and has the "MODBUS/TCP Conformance Test Policy, Version 2.0". The measuring device has successfully passed all the test procedures carried out and is certified by the "MODBUS/TCP Conformance Test Laboratory" of the University of Michigan.
Other standards and guidelines	<ul style="list-style-type: none"> ■ EN 60529 Degrees of protection by housing (IP code) ■ EN 61010-1 Protection Measures for Electrical Equipment for Measurement, Control, Regulation and Laboratory Procedures. ■ IEC/EN 61326 "Emission in accordance with Class A requirements". Electromagnetic compatibility (EMC requirements) ■ NAMUR NE 21 Electromagnetic compatibility (EMC) of industrial process and laboratory control equipment. ■ NAMUR NE 43 Standardization of the signal level for the breakdown information of digital transmitters with analog output signal. ■ NAMUR NE 53 Software of field devices and signal-processing devices with digital electronics
Pressure Equipment Directive	<p>The measuring devices can be ordered with or without PED (Pressure Equipment Directive). If a device with PED is required, this must be ordered explicitly. For devices with nominal diameters less than or equal to DN 25 (1"), this is neither possible nor necessary.</p> <ul style="list-style-type: none"> ■ With the identification PED/G1/III on the sensor nameplate, Endress+Hauser confirms conformity with the "Basic safety requirements" of Appendix I of the Pressure Equipment Directive 97/23/EC. ■ Devices with this identification (with PED) are suitable for the following types of fluid: <ul style="list-style-type: none"> - Fluids of Group 1 and 2 with a steam pressure of greater or less than 0.5 bar (7.3 psi) - Unstable gases

- Devices without this identification (without PED) are designed and manufactured according to good engineering practice. They correspond to the requirements of Art. 3, Section 3 of the Pressure Equipment Directive 97/23/EC. Their application is illustrated in Diagrams 6 to 9 in Appendix II of the Pressure Equipment Directive 97/23/EC.

Functional safety

SIL -2: accordance IEC 61508/IEC 61511-1 (FDIS)

"4–20 mA HART" output according to the following order code:

Promass 80

Promass80***_*****A
 Promass80***_*****D
 Promass80***_*****S
 Promass80***_*****T
 Promass80***_*****8

Promass 83

Promass83***_*****A	Promass83***_*****M	Promass83***_*****Q
Promass83***_*****B	Promass83***_*****R	Promass83***_*****2
Promass83***_*****C	Promass83***_*****S	Promass83***_*****3
Promass83***_*****D	Promass83***_*****T	Promass83***_*****4
Promass83***_*****E	Promass83***_*****U	Promass83***_*****5
Promass83***_*****L	Promass83***_*****W	Promass83***_*****6

Ordering Information

The Endress+Hauser service organization can provide detailed ordering information and information on the order codes upon request.

Accessories

Various accessories, which can be ordered separately from Endress+Hauser, are available for the transmitter and the sensor.

Documentation

- Flow measuring technology (FA005D)
- Technical Information
 - Promass 80A, 83A (T054D)
 - Promass 80F, 83F (TI101D)
 - Promass 80H, 83H (TI074D)
 - Promass 80I, 83I (TI075D)
 - Promass 80P, 83P (TI078D)
 - Promass 80S, 83S (TI076D)
- Operating Instructions/Description of Device Functions
 - Promass 80 HART (BA057D/BA058D)
 - Promass 80 PROFIBUS PA (BA072D/BA073D)
 - Promass 83 HART (BA059D/BA060D)
 - Promass 83 FOUNDATION Fieldbus (BA065D/BA066D)
 - Promass 83 PROFIBUS DP/PA(BA063D/BA064D)
 - Promass 83 MODBUS (BA107D/BA108D)
- Supplementary documentation on Ex-ratings: ATEX, FM, CSA, IECEx NEPSI
- Functional safety manual Promass 80, 83 (SD077D)

Registered trademarks

TRI-CLAMP®

Registered trademark of Ladish & Co., Inc., Kenosha, WI, USA

HART®

Registered trademark of HART Communication Foundation, Austin, TX, USA

PROFIBUS®

Registered trademark of the PROFIBUS User Organization, Karlsruhe, Germany

FOUNDATION™ Fieldbus

Registered trademark of the Fieldbus FOUNDATION, Austin, USA

MODBUS®

Registered trademark of the MODBUS Organization

HistoROM™, S-DAT®, T-DAT™, F-CHIP®, Fieldcheck®, FieldCare®, Applicator®

Registered or registration-pending trademarks of Endress+Hauser Flowtec AG, Reinach, CH

Instruments International

Endress+Hauser
Instruments International AG
Kaegenstrasse 2
4153 Reinach
Switzerland

Tel. +41 61 715 81 00
Fax +41 61 715 25 00
www.endress.com
info@ii.endress.com

Endress+Hauser 
People for Process Automation