



Level



Pressure



Flow



Temperature



Liquid
Analysis



Registration



Systems
Components



Services



Solutions

Technical Information

Oxymax COS51D

Digital sensor for measuring dissolved oxygen

Longterm-stable sensor for water and wastewater applications



Application

The continuous measurement of the dissolved oxygen concentration is very important in many areas of water management:

- Sewage treatment plants:
Oxygen measurement and regulation in the activated sludge basin for a highly efficient biological cleaning process
- Water monitoring:
Oxygen measurement in rivers, lakes or seas as an indicator of the water quality
- Water treatment:
Oxygen measurement for status monitoring of drinking water for example (oxygen enrichment, corrosion protection etc.)
- Fish farming:
Oxygen measurement and regulation for optimum living and growth conditions

Your benefits

- Sensor with digital data transmission:
 - Storage of calibration data in sensor
 - Insensitive to electromagnetic interferences thanks to digital communication to the transmitter
- Maximum measurement accuracy:
 - Longterm-stable measurement thanks to potentiostatic amperometric three-electrode system
 - Long maintenance intervals
 - Intelligent sensor self monitoring
- Membrane covered sensor, i.e.:
 - high O₂ selectivity
 - Minimum maintenance effort
 - Minimum calibration effort thanks to simple calibration in air

Further benefits offered by Memosens technology

- Maximum process safety through contactless inductive signal transmission
- Data safety through digital data transmission
- Easy handling thanks to storage of sensor-specific data in the sensor
- Predictive maintenance possible thanks to registration of sensor load data in the sensor

Function and system design

Measuring principle

The oxygen molecules diffused through the membrane are reduced to hydroxide ions (OH⁻) at the cathode. Silver is oxidized to silver ions (Ag⁺) at the anode (this forms a silver halogenide layer). A current flows due to the electron donation at the cathode and the electron acceptance at the anode. Under constant conditions, this flow is proportional to the oxygen content of the medium. This current is converted in the transmitter and indicated on the display as an oxygen concentration in mg/l, as a saturation index in % SAT or as an oxygen partial pressure in hPa.

Potentiostatic amperometric three-electrode system

The high-impedance, current-free reference electrode plays an important role. The formation of a silver bromide or silver chloride coating on the anode uses up the bromide or chloride ions dissolved in the electrolyte. In the case of conventional membrane-covered sensors working with the two-electrode system, this causes an increase in signal drift.

This is not the case with the three-electrode system: The change in bromide or chloride concentration is registered by the reference electrode and an internal control circuit holds the working electrode potential constant. The advantages of this principle are significantly increased accuracy of the signal and considerably extended calibration intervals.

Memosens technology

Maximum process safety

The inductive and non-contacting measured value transmission of Memosens guarantees maximum process safety and offers the following benefits:

- All problems caused by moisture are eliminated.
 - The plug-in connection is free from corrosion.
 - Measured value distortion from moisture is not possible.
 - The plug-in system can even be connected under water.
- The transmitter is galvanically decoupled from the medium. The result: No more need to ask about "symmetrically high-impedance" or "unsymmetrical" (for pH/ORP measurement) or an impedance converter.
- EMC safety is guaranteed by screening measures for the digital measured value transmission.
- Application in explosion-hazardous areas is unproblematic; the integrated electronics are intrinsically safe.

Data safety through digital data transfer

The Memosens technology digitalizes the measured values in the sensor and transfers them to the transmitter contactlessly and free from interference potential. The result:

- An automatic error message is generated if the sensor fails or the connection between sensor and transmitter is interrupted.
- The availability of the measuring point is dramatically increased by immediate error detection.

Easy handling

Sensors with Memosens technology have integrated electronics that allow for saving calibration data and further information such as total hours of operation and operating hours under extreme measuring conditions. When the sensor is mounted, the calibration data are automatically transferred to the transmitter and used to calculate the current measured value. Storing the calibration data in the sensor allows for calibration away from the measuring point. The result:

- Sensors can be calibrated under optimum external conditions in the measuring lab. Wind and weather do neither affect the calibration quality nor the operator.
- The measuring point availability is dramatically increased by the quick and easy replacement of precalibrated sensors.
- The transmitter does not need to be installed close to the measuring point but can be placed in the control room.
- Maintenance intervals can be defined based on all stored sensor load and calibration data and predictive maintenance is possible.
- The sensor history can be documented on external data carriers and evaluation programs at any time. Thus, the current application of the sensors can be made to depend on their previous history.

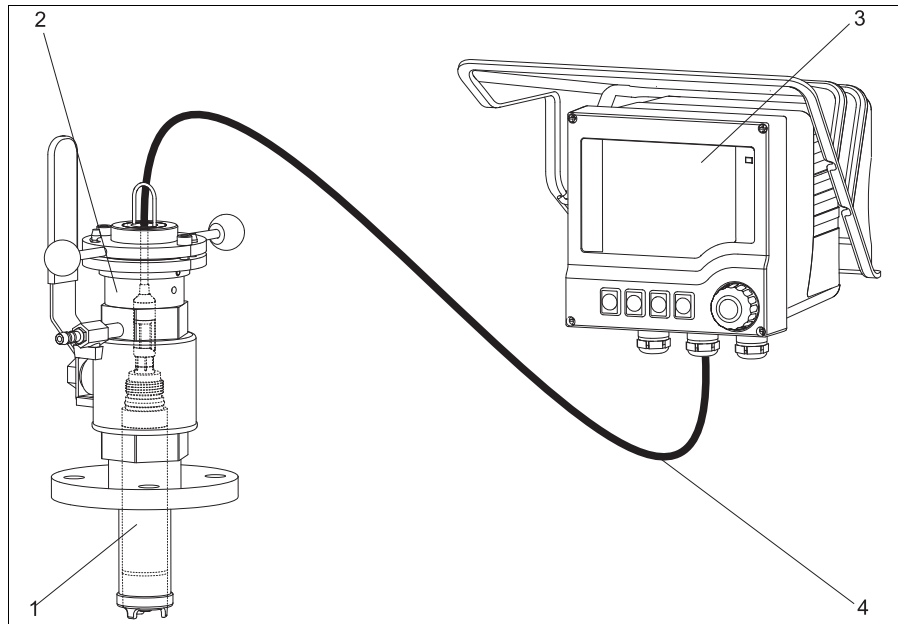
Measuring system

A complete measuring system comprises at least:

- the digital oxygen sensor Oxymax COS51D
- a transmitter, e.g. Liquiline CM42
- a special measuring cable, CYK10
- an assembly, e.g. immersion assembly CYA112 or retractable assembly COA451

Optional (see accessories):

- Holder system CYH112 for immersion operation
- Junction box RM (with cable extension)
- Automatic cleaning system Chemoclean with spray head



Measuring system (example)

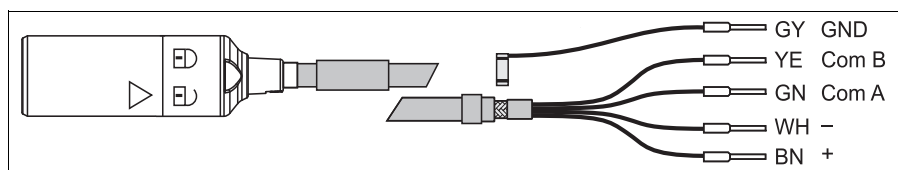
- 1 Digital oxygen sensor Oxymax W COS51D
- 2 Retractable assembly COA451
- 3 Liquiline M CM42
- 4 Measuring cable CYK10

Input

Measured variable	Dissolved oxygen [mg/l, µg/l, ppm, ppb, % SAT or hPa]
Measuring range	0.01 to 100 mg/l 0.00 to 1000 % SAT 0 to 2000 hPa

Wiring

Electrical connection The sensor is electrically connected to the transmitter by means of the special measuring cable CYK10.



Special measuring cable CYK10

Performance characteristics

Response time	<ul style="list-style-type: none"> ■ COS51D-***0* (black membrane cap for normal response time): <ul style="list-style-type: none"> – t_{90}: 3 minutes – t_{98}: 8minutes (each at 20 °C / 68 °F) ■ COS51D-***1* (white membrane cap for fast response time): <ul style="list-style-type: none"> – t_{90}: 0.5 minutes – t_{98}: 1.5 minutes (each at 20 °C / 68 °F)
----------------------	---

Reference operating conditions	Reference temperature: 25 °C (77 °F)
	Reference pressure: 1013 hPa (15 psi)

Signal current in air¹⁾	<ul style="list-style-type: none"> ■ COS51D-***0* (black membrane cap): approx. 300 nA ■ COS51D-***1* (white membrane cap): approx. 1100 nA
---	---

Measured value resolution	0.01 mg/l (0.01 ppm)
----------------------------------	----------------------

Maximum measured error	± 1 % of measured value ²⁾
-------------------------------	---

Repeatability	± 1 % of measured value
----------------------	-----------------------------

Long-term drift	Zero-point drift: < 0.1 % per week at 30 °C (86 °F)
	Measuring range drift: < 0.1 % per week at 30 °C (86 °F) ¹⁾

1) under constant conditions each

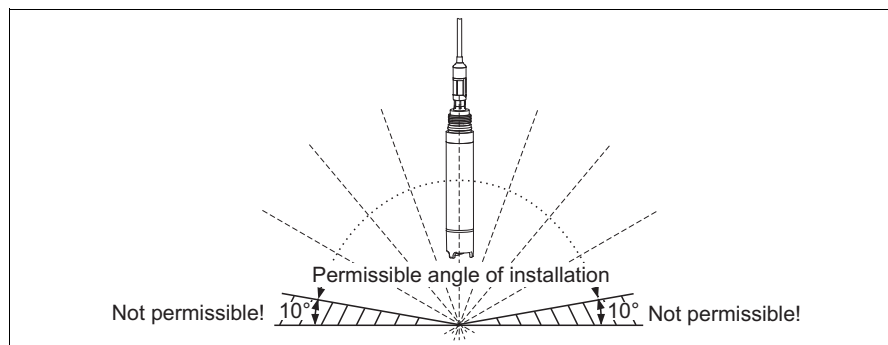
Influence of medium pressure	Pressure compensation not necessary
-------------------------------------	-------------------------------------

Polarization time	< 60 minutes
--------------------------	--------------

Oxygen intrinsic consumption	<ul style="list-style-type: none"> ■ COS51D-***0*: Approx. 90 ng/h in air at 25 °C (77 °F) ■ COS51D-***1*: Approx. 270 ng/h in air at 25 °C (77 °F)
-------------------------------------	---

Installation

Angle of installation



Permissible angle of installation

a0006741-en

1) For the reference operating conditions indicated
2) In accordance with IEC 60746-1 at nominal operating conditions

Environment

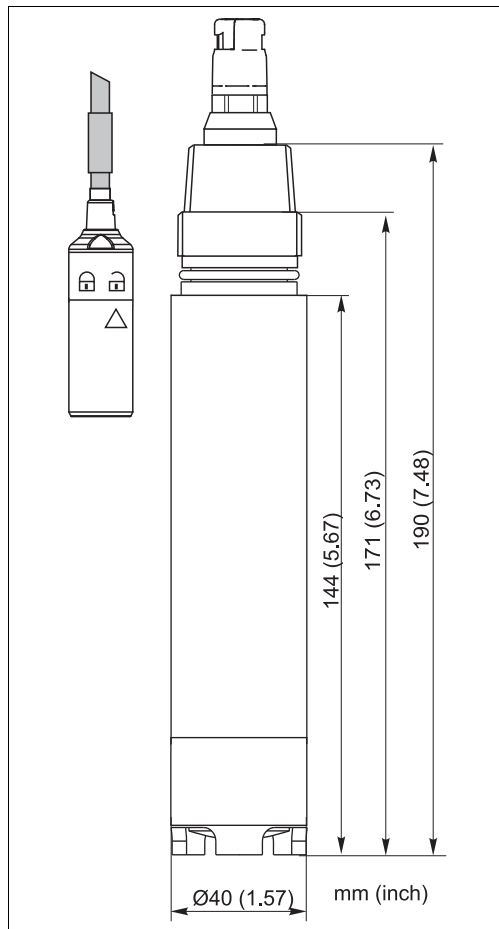
Ambient temperature range	-5 to 50 °C (20 to 120 °F)
Storage temperature	filled with electrolyte: -5 to 50 °C (20 to 120 °F) without electrolyte: -20 to 60 °C (0 to 140 °F)
Ingress protection	IP 68 (10 m (33 ft) water column at 25 °C (77 °F) in 30 days)

Process

Process temperature	-5 to 50 °C (20 to 120 °F)
Process pressure	max. 10 bar (145 psi) Underpressure operation is not permissible.

Mechanical construction

Design, dimensions



Dimensions

00006742

Weight	0.3 kg (0.7 lbs)
---------------	------------------

Material	Sensor shaft:	POM
	Membrane cap:	POM
	Cathode:	Gold
	Anode/Reference electrode:	Silver / silver bromide

Process connection G1 and NPT 3/4"

Membrane thickness

- COS51D-***0*: approx. 50 µm
- COS51D-***1*: approx. 25 µm

Temperature compensation internal

Electrolyte Alkaline electrolyte

Ordering information

Product structure

Approval	
A	Non-hazardous area
G	ATEX II 1 G Ex ia IIC T6
O	FM/CSA IS/NI CL I DIV 1&2 GP A-D
Head type	
S	NPT 3/4", G1, Memosens connector
Cable length	
8	Standard version, without cable
Membrane cap	
0	Normal, t ₉₀ approx. 3 min.
1	Fast, t ₉₀ approx. 0.5 min.
Accessories	
0	No accessories
COS51D-	Complete order code

Scope of delivery

The following items are included in the delivery:

- Oxygen sensor with transport protection cap for membrane protection
- Accessories set with the following contents:
 - 2 replacement cartridges (replacement membrane caps)
 - 10 plastic ampoules containing electrolyte
 - 1 sealing kit with 3 O-rings
 - 6 abrasive sheets
- Operating Instructions (on CD only)
- Brief Operating Instructions (paper version)



Note!

With sensor version COS51D-***8** you must order the measuring cable CYK10 separately (see accessories).

Certificates and approvals

Ex approval

Version COS51D-G****

ATEX II 1G Ex ia IIC T6

Version COS51D-O****

FM/CSA IS/NI CL I DIV 1&2 GP A-D

Accessories



Note!

In the following sections, you find the accessories available at the time of issue of this documentation. For information on accessories that are not listed here, please contact your local service or sales representation.

Assemblies (selection)

Retractable assembly Cleanfit COA451

- manually driven retractable assembly, stainless steel, with ball valve, for oxygen sensors;
- ordering acc. to product structure (Technical Information TI368C/07/en)

Wastewater assembly Flexdip CYA112

- Modular assembly system for sensors in open basins, channels and tanks
- Versions in stainless steel or PVC
- Ordering acc. to product structure (Technical Information TI432C/07/en)

Flow assembly COA250

- for sensor installation in pipe lines, PVC
- ordering acc. to product structure (Technical Information TI111C/07/en)

Zero solution

- 3 units to produce 3 x 1 liter oxygen-free solution
- order no. 50001041

Measuring cable

CYK10 Memosens data cable

- For digital sensors with Memosens technology
- Ordering according to product structure, see below

Certificates	
A	Standard, non-Ex
G	ATEX II 1G Ex ia IIC T6/T4/T3, FM/CSA IS/NI Cl I DIV 1&2 GP A-D
L	LABS free, non-Ex
O	FM IS/NI Cl I DIV 1&2 GP A-D
S	CSA IS/NI Cl I DIV 1&2 GP A-D
T	TIIS
V	ATEX/NEPSI II 3G Ex nL IIC
Cable length	
03	Cable length: 3 m (9.8 ft)
05	Cable length: 5 m (16 ft)
10	Cable length: 10 m (33 ft)
15	Cable length: 15 m (49 ft)
20	Cable length: 20 m (66 ft)
25	Cable length: 25 m (82 ft)
88	... m length
89	... ft length
Ready-made	
1	Wire terminals
2	M12 plug
CYK10-	complete order code



Note!

Ex versions of CYK10 are indicated by an orange-red coupling end.

CYK81 measuring cable

- Non-terminated measuring cable for extension of sensor cables of e.g. Memosens sensors, CUS31/CUS41
- 2 wires, twisted pair with shield and PVC-sheath (2 x 2 x 0.5 mm² + shield)
- Sold by the meter, order no.: 51502543

Junction box

Junction box RM

- For cable extension (e.g. for Memosens sensors or CUS31/CUS41)
- 5 terminals
- Cable entries: 2 x Pg 13.5
- Material: PC
- Ingress protection: IP 65
- Order no.: 51500832

Transmitter

Liquiline CM42

- Modular two-wire transmitter for Ex and non-Ex areas
- Hart®, PROFIBUS or FOUNDATION Fieldbus available
- Ordering acc. to product structure, Technical Information TI381C/07/en

Instruments International

Endress+Hauser
Instruments International AG
Kaegenstrasse 2
4153 Reinach
Switzerland

Tel.+41 61 715 81 00
Fax+41 61 715 25 00
www.endress.com
info@ii.endress.com

Endress+Hauser 

People for Process Automation