



Level



Pressure



Flow



Temperature

Liquid
Analysis

Registration

Systems
Components

Services



Solutions

Technical Information

Nivotester FTC625 PFM

Level limit switch

With Intrinsically Safe Signal Circuit for Connection
to a Capacitance Sensor



Applications

- Level limit detection in tanks containing liquids and silos containing bulk solids. For capacitance level probes, which may also be applied in hazardous areas of category ATEX II (1) GD
- Overspill protection for tanks containing flammable or non-flammable fluids hazardous to water
- Dry running protection for pumps

Your benefits

- Intrinsically safe signal circuit [EEx ia] IIC for using sensors in hazardous areas
- Calibration using operating keys
- High functional safety thanks to:
 - Fail-safe PFM technology
 - Cable monitoring up to sensor with FEI57S or EC27Z
 - Checkable relay function using operating keys
- Compact housing for easy series mounting on standard DIN rail in the cabinet
- Pluggable terminal blocks make wiring easy
- RS485 interface for connection, e.g. by Fieldgate technology, for remote monitoring
- RS232 diagnosis socket with connection to, for example, FieldCare for reading out data
- Can be used also with EC16Z and EC17Z
- Permanent self-monitoring with FEI57S and EC27Z
- Protection against maloperation and manipulation
 - Every change in the switch setting triggers a red LED signal and a fault message
- Full- or empty push button calibration

Table of contents

Function and system design	3	Cable	15
Measuring principle	3	Supplementary Documentation	15
Measuring system	5	System Information (SI)	15
Input	6	Technical Information (TI)	15
Measured variable	6	Operating Instructions (KA)	15
Measuring range	6	Certificates	15
Input signal	6		
Output	6		
Output signal	6		
Signal on alarm	6		
Galvanic isolation	6		
Overvoltage category as per EN 61010	6		
Protection class	6		
Power supply	7		
Electrical connection	7		
Supply voltage	7		
Power consumption	7		
Operating conditions (installation conditions)	8		
Installation instructions	8		
Operating conditions (environmental conditions)	9		
Installation location	9		
Permitted ambient temperatures	9		
Climatic and mechanical application class	9		
Degree of protection	9		
Electromagnetic Compatibility (EMC)	9		
Mechanical construction	10		
Design, dimensions	10		
Weight	11		
Materials	11		
Terminals	11		
Human interface	12		
Display elements	12		
Operating elements	12		
Operating concept	12		
System integration via Fieldgate	13		
Certificates and approvals	14		
CE mark	14		
Ex approval	14		
Type of protection	14		
Overspill protection	14		
Other standards and regulations	14		
Ordering information	14		
Nivotester FTC625	14		
Accessories	15		
Protective housing	15		

Function and system design

Measuring principle

Function

Probe and tank (or ground tube/counterpotential) form a capacitor whose capacitance changes with the level of the product. The electronic insert converts the capacitance change into a PFM frequency change, which switches the output relay in the Nivotester FTC625.

Signal transmission

The Nivotester FTC625 limit switch's intrinsically safe signal input is galvanically isolated from the mains and from the output.

The Nivotester supplies the capacitance sensor with power via a two-wire cable with direct current and receives a frequency from it which signals whether the level limit has been reached or not. Here, the transmitter superimposes current pulses (PFM signals) with a pulse width of approx. 200 μ s and an amperage of approx. 10 mA on the supply current.

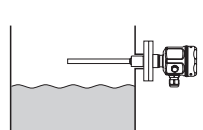
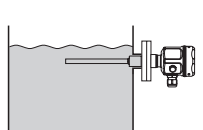
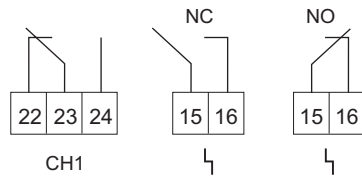
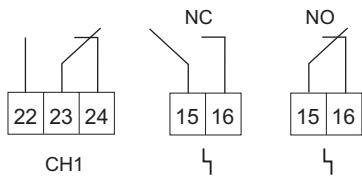
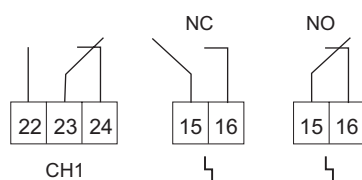
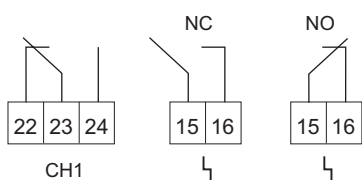
Signal analysis

The Nivotester analyses the frequency and switches the output relay for the level alarm. The switching state of the relay is displayed on the front panel of the Nivotester by means of a yellow light emitting diode (left).

Fail-safe circuit

Selecting the correct fail-safe circuit ensures that the relay always works in quiescent current fail-safe mode.

- Maximum fail-safe mode: the relay de-energises when the level rises above the switch point (sensor covered), a fault occurs or the power fails.
- Minimum fail-safe mode: the relay de-energises when the level falls below the switch point (sensor uncovered), a fault occurs or the power fails.

Level	 Probe uncovered	 Probe covered
Maximum safety circuit		
Minimum safety circuit		

L00-FTC625xx-15-06-xx-en-001

Function of the limit indicator dependent on the level and fail-safe circuit.

Function monitoring

To increase operational safety, the Nivotester is equipped with a function monitoring facility. A fault is displayed by the red light emitting diode and de-energises the relay for the level alarm and the alarm relay. A fault is indicated if the Nivotester does not receive any more current pulses. This occurs, for example, when:

- there is a short-circuit
- the signal line to the sensor is interrupted
- the sensor electronics are defective
- the Nivotester's input switching is defective

Permanent function monitoring is implemented by the FEI57S and EC27Z electronic insert. Here, the Nivotester sends a test pulse to the FEI57S or EC27Z, which then returns it. This occurs in one second cycles. If the frequency measurement is interrupted, the Nivotester triggers the alarm.



Note!

The Nivotester FTC625 was optimised for the new electronic inserts of Liquicap M and Solicap M series. From the software version (SV) 1.4 the Nivotester is fully compatible with the FEI57S.

The function alarm priority (only in conjunction with FEI57S or EC27Z) ensures that a limit indication is not signalled before a fault message. With this setting you ensure that a fault message has the first priority.

After calibration, every further change to the device configuration de-energises the relay. A fault message is signalled via the red LED.

Calibration key (red)

Calibration is carried out automatically by means of operating keys. This makes setting via rotary switches inapplicable.

Adjustable switching delay and switch point shift

- An adjustable switching delay of 0...45 s allows for the relay to be switched with a delay when covering or uncovering the probe. In the opposite direction, each switching delay is 0.2 s.
- A 16-stage switch point shift allows for safe system operation even when using media that are prone to build-up.

The test/correction key (green):

- allows for a function check of the output relay and alarm relay.
- confirms a change in the operating mode - e.g. by changing the switching delay after initial calibration. This enables a correction of the operating mode without requiring recalibration. The changed settings are saved by pressing the operating key.

Diagnosis plug (RS232)

The RS232 interface serves as a PC interface and enables on-site operation using a laptop in conjunction with a FieldCare.

RS485 interface

The RS485 interface enables, for example, connection to a Fieldgate, with which remote monitoring can also be performed via the Internet. This remotely monitors the probe frequency, for example in order to receive a message by e-mail should build-up occur and to initiate a new calibration.

Measuring system

A measuring system consists of a capacitance sensor, a Nivotester FTC625 and the control or signal instruments.

The following sensors can be used in conjunction with the electronic inserts (EC) listed.

- Liquicap M (FTI51, FTI52) with FEI57S
- Solicap M (FTI55, FTI56) with FEI57S
- Solicap S (FTI77) with FEI57S
- Solicap (FTC51, FTC52, FTC53)* with EC17Z
- Multicap T* with EC17Z
- Multicap Classic* with EC16Z, EC17Z, EC27Z
- Multicap EA* with EC17Z
- High-temperature probes (HT) 11500**, T12656***, T12892*** with EC17Z, EC27Z
- Double rod probe 11304** with EC17Z, EC27Z

* Phase-out: 2007, ** Phase-out: 2008, *** Phase-out: 2009

Probe construction

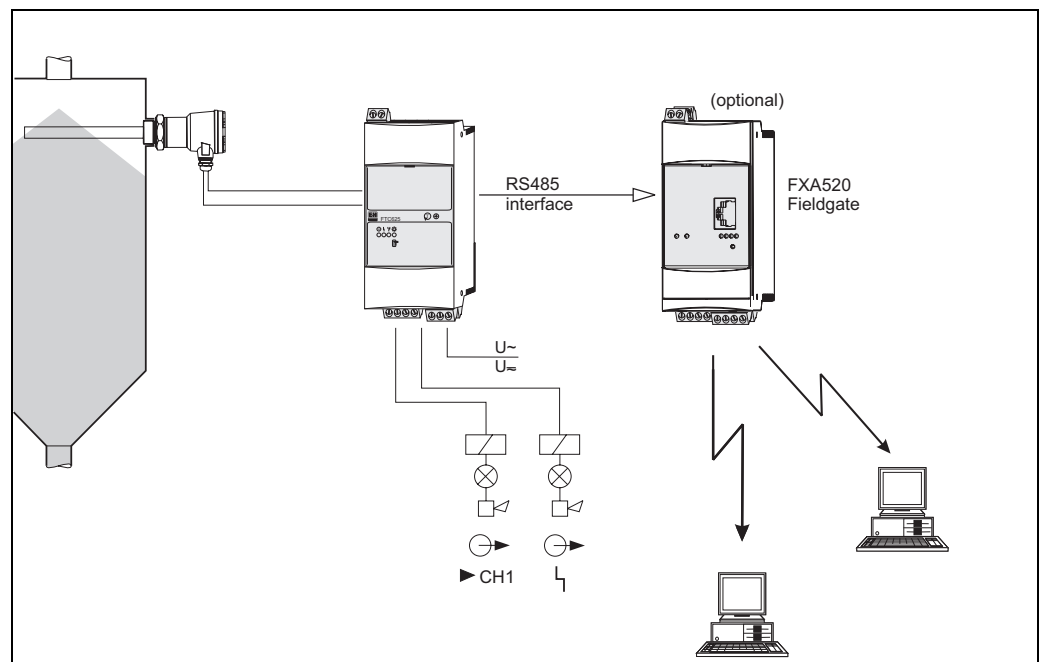
Example: Material	ϵ_r	Conductivity	Build-up	Type of probe mounting			
				full insulation	partial insulation	with ground tube	without ground tube
Solvents, fuels	< 3	low	low	✓	✓	✓	–
Dry bulk solids	< 3	low	low	–	✓	–	✓
Moist bulk solids	> 3	average	average	✓	✓	–	✓
Aqueous liquids and alcohols	> 3	strong	low	✓	✓	–	✓
			strong	–	✓	–	✓
Sludge	> 3	strong	very strong	–	✓	–	✓

L00-FTC625xx-05-06-xx-en-000

Nivotester FTC625

The measuring system consists of:

- Sensor
 - capacitance probe
 - electronic insert
 - FEI57S or EC27Z with cable monitoring
 - EC16/17Z without cable monitoring
- Nivotester FTC625
- Control or signal instruments



L00-FTC625xx-14-06-xx-en-001

Input

Measured variable	The limit signal is generated at minimum or maximum level, depending on the selection
Measuring range	The measuring range is dependent on the mounting location of the probes.
Input signal	<ul style="list-style-type: none"> ■ FTC625 input: galvanically isolated from power supply and output ■ Type of protection: intrinsic safety [EEx ia] IIC ■ Connectable sensors: <ul style="list-style-type: none"> Liquicap M (FTI51, FTI52) with FEI57S Solicap M (FTI55, FTI56) with FEI57S Solicap S (FTI77) with FEI57S Solicap (FTC51, FTC52, FTC53)* with EC17Z Multicap T* with EC17Z Multicap Classic* with EC16Z, EC17Z, EC27Z Multicap EA* with EC17Z High-temperature probes (HT) 11500**, T12656***, T12892*** mit EC17Z, EC27Z Double rod probe 11304** with EC17Z, EC27Z ■ Sensor's power supply: from Nivotester FTC625 ■ Connecting cable: two-wire, screening not required, except for strong electromagnetic interferences (see also page 6) ■ Cable resistance: max. 25 Ω per wire ■ Signal transmission: pulse-frequency modulation (PFM) <p>* Phase-out: 2007, ** Phase-out: 2008, *** Phase-out: 2009</p>

Output

Output signal	<ul style="list-style-type: none"> ■ Relay output: a potential-free change-over contact for the level alarm ■ RS485 interface for connection to, for example, Fieldgate (remote monitoring) ■ Quiescent current fail-safe circuit: minimum/maximum fail-safe mode can be selected using the DIL switch ■ Alarm relay: potential-free change-over contact for fault indication, only two contacts made (NC or NO contact) ■ Switching delay: 0...45 s relay switches when covering or uncovering the probe, depending on the setting ■ Switching capacity of relay contacts: <ul style="list-style-type: none"> U~ maximum 253 V I~ maximum 2 A P~ maximum 500 VA at $\cos \varphi \geq 0.7$ <li style="margin-left: 40px;">U- maximum 40 V <li style="margin-left: 40px;">I- maximum 2 A <li style="margin-left: 40px;">P- maximum 80 W <ul style="list-style-type: none"> ■ Service life: at least 10^5 switching cycles at maximum contact load ■ Function indicator: light emitting diodes for operation/communication, level alarm, fault and level signal (lights up as long as the probe is covered)
Signal on alarm	Limit relay de-energised; fault indication via red LED, alarm relay de-energised
Galvanic isolation	All input and output channels and relay contacts are galvanically safe isolated from each other. When making a simultaneous connection from the power supply circuit to the function's extra-low voltage or to the alarm relay's contacts, safe galvanic isolation is guaranteed up to a voltage of 150 V AC.
Overvoltage category as per EN 61010	II
Protection class	II (double or increased insulation)

Power supply

Electrical connection

Terminal blocks

The removable terminal blocks are isolated after intrinsically safe connections (top of device) and non-intrinsically safe connections (bottom of device). Furthermore, the terminal blocks are also colour-coded. Blue is for the intrinsically safe area and grey for the non-intrinsically safe area. These distinctions allow for safe cable routing.

Sensor connection

(To the upper, blue terminal blocks).

Use a usual commercial instrument cable or multi-core cable for measuring purposes for the two-wire connecting cable between the Nivotester FTC625 and the sensor. Cable resistance of maximum 25 Ω per wire. If strong electromagnetic interferences have to be expected, e.g. from machines or radios, a screened cable must be used. Only connect the screening to the grounding connection in the sensor, not to the Nivotester.

Using the sensor in hazardous areas

Compliance with the national explosion protection regulations for the design and routing of the intrinsically safe signal cable is mandatory.

High-reliability values for capacitance and inductance are contained in Safety Instructions XA 195F.

Connection of signal and control instruments

(To the lower, grey terminal blocks)

The relay function must be observed dependent on the level and fail-safe circuit.

If a device with high inductance (e.g. contactor, solenoid valve, etc.) is connected, a spark suppressor must be added to protect the relay contact.

Supply voltage connection

(To the lower, grey terminal blocks)

For voltage versions, see the Ordering information.

A fuse (T 200mA) is built in to the power supply circuit, so that it is not necessary to pre-connect a fine-wire fuse. The Nivotester is equipped with reverse polarity protection.

Supply voltage

Alternating current version (AC):

- Voltage ranges: 85...253 V, 50/60 Hz

Direct current version (DC):

- Voltage range: 20...30 V AC / 20...60 V DC
- Power supply direct current: maximum 100 mA
- Permitted residual ripple within the tolerance: $U_{ss} = \text{maximum } 2 \text{ V}$

Power consumption

AC version

maximum 6.0 VA

DC version

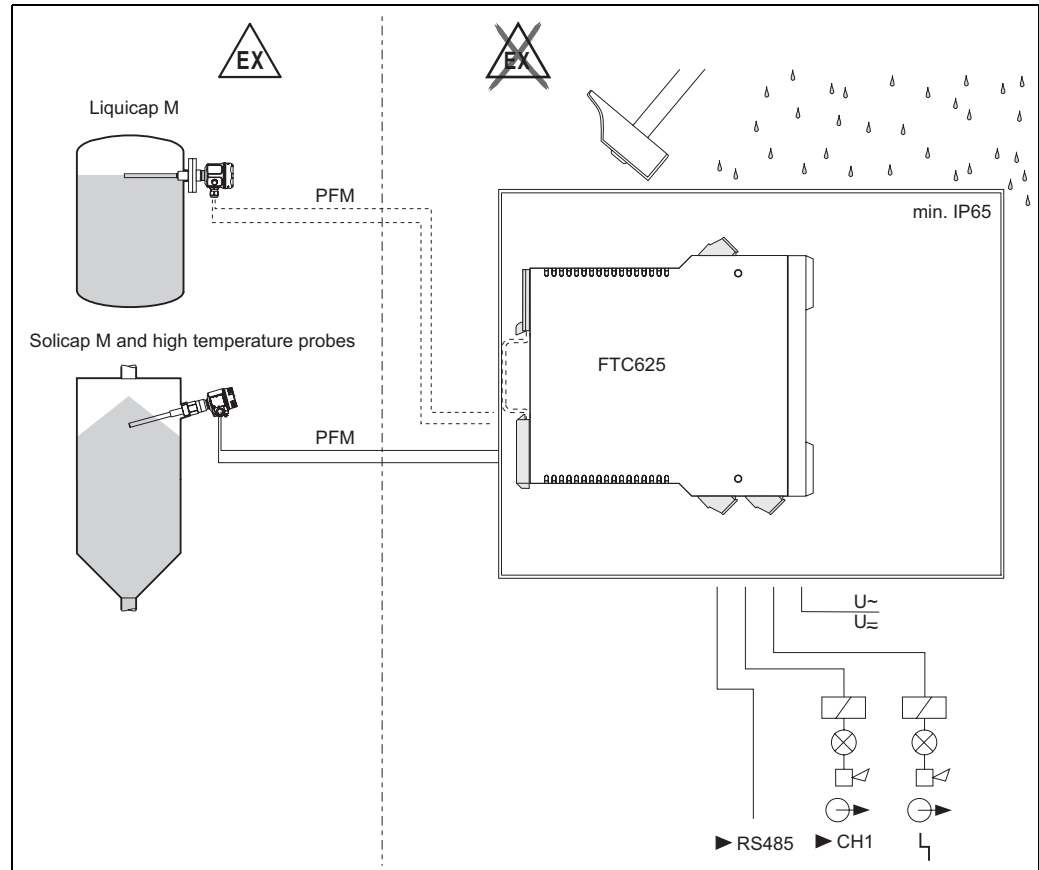
maximum 2.0 W (at U_{min} 20 V)

Operating conditions (installation conditions)

Installation instructions

Installation location

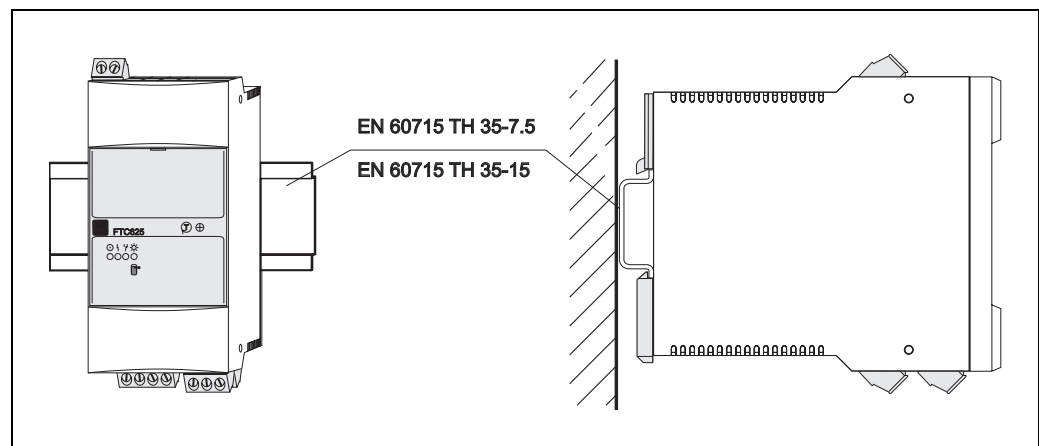
The Nivotester must be housed outside of hazardous areas in a cabinet. For installation outdoors, there is also a protective housing (IP65 - see Accessories) for up to three Nivotester FTC625 available.



L00-FTC625xx-11-06-xx-en-001


Orientation

Vertical on DIN rail (EN 60715 TH 35).



L00-FTC625xx-11-06-xx-xx-001

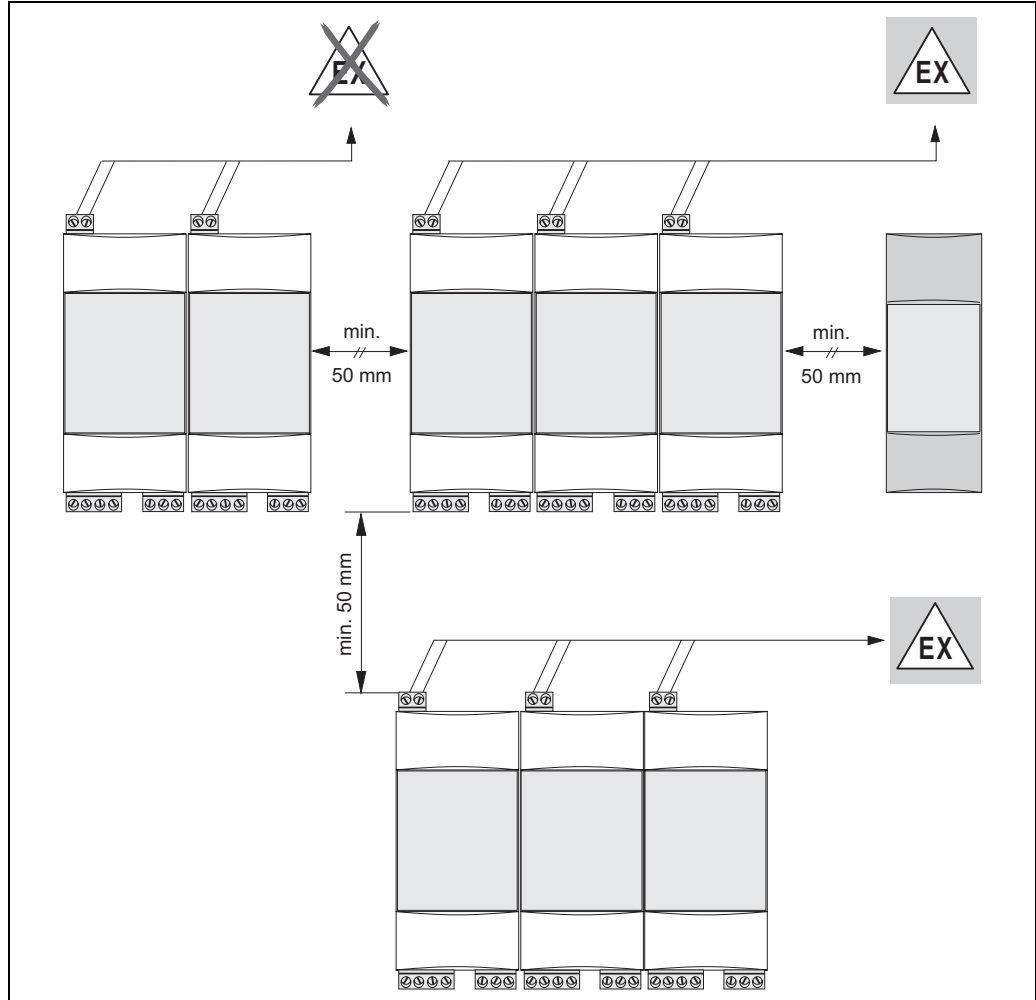
Operating conditions (environmental conditions)

Installation location	Cabinet or protective housing
Permitted ambient temperatures	<p>For single mounting</p> <ul style="list-style-type: none"> ■ -20 °C...+60 °C <p>For series mounting without lateral spacing</p> <ul style="list-style-type: none"> ■ -20 °C...+50 °C <p>Storage temperature</p> <ul style="list-style-type: none"> ■ -25 °C...+85 °C (preferably at +20 °C) <p>Installation in protective housing</p> <ul style="list-style-type: none"> ■ -20 °C...+40 °C ■ No more than three Nivotesters can be installed into one protective housing
	<p> Caution! The devices should be installed in locations which are protected from direct solar radiation, weather and impacts. This is of particular importance in hot climates.</p>
Climatic and mechanical application class	<p>3K3 As per DIN EN 60721-3-3</p> <p>3M2 As per DIN EN 60721-3-3</p>
Degree of protection	IP20
Electromagnetic Compatibility (EMC)	<p>Interference emission as per EN 61326; Equipment Class B</p> <p>Interference immunity as per EN 61326; Appendix A (industrial applications) and NAMUR Recommendation NE 21 (EMC)</p>

Mechanical construction

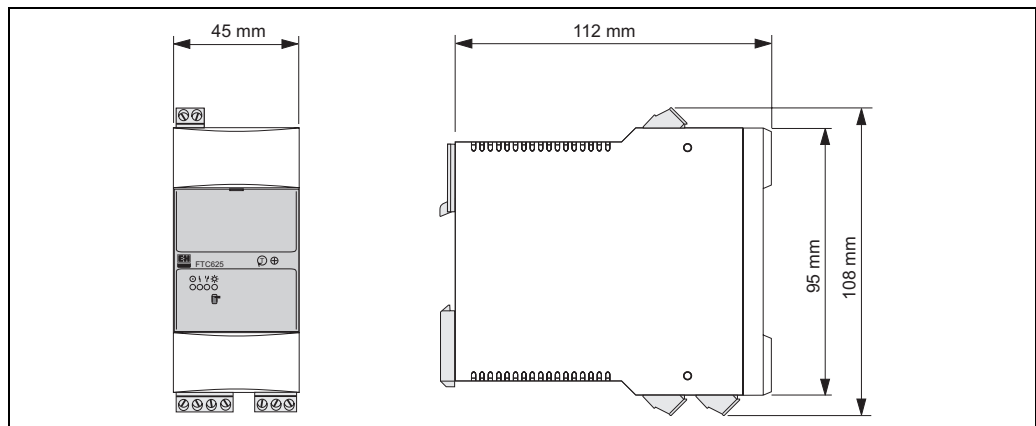
Design, dimensions

- Housing: row housing made of plastic
- Mounting: on DIN rail as per EN 60715 TH 35-7.5 or EN 60715 TH 35-15
- Degree of protection as per EN 60529; IP20



L00-FTC625xx-06-06-xx-xx-001

Dimensions



L00-FTC625xx-06-06-xx-xx-002



Note!
100 mm = 3.94 in

Weight approx. 250 g

Materials

Housing

- Polycarbonate
Colour: light grey, RAL 7035

Front cover

- Polypropylene PPN
Colour: blue

Fixing bracket (for securing on the DIN rail)

- Polyamide PA6
Colour: black, RAL 9005

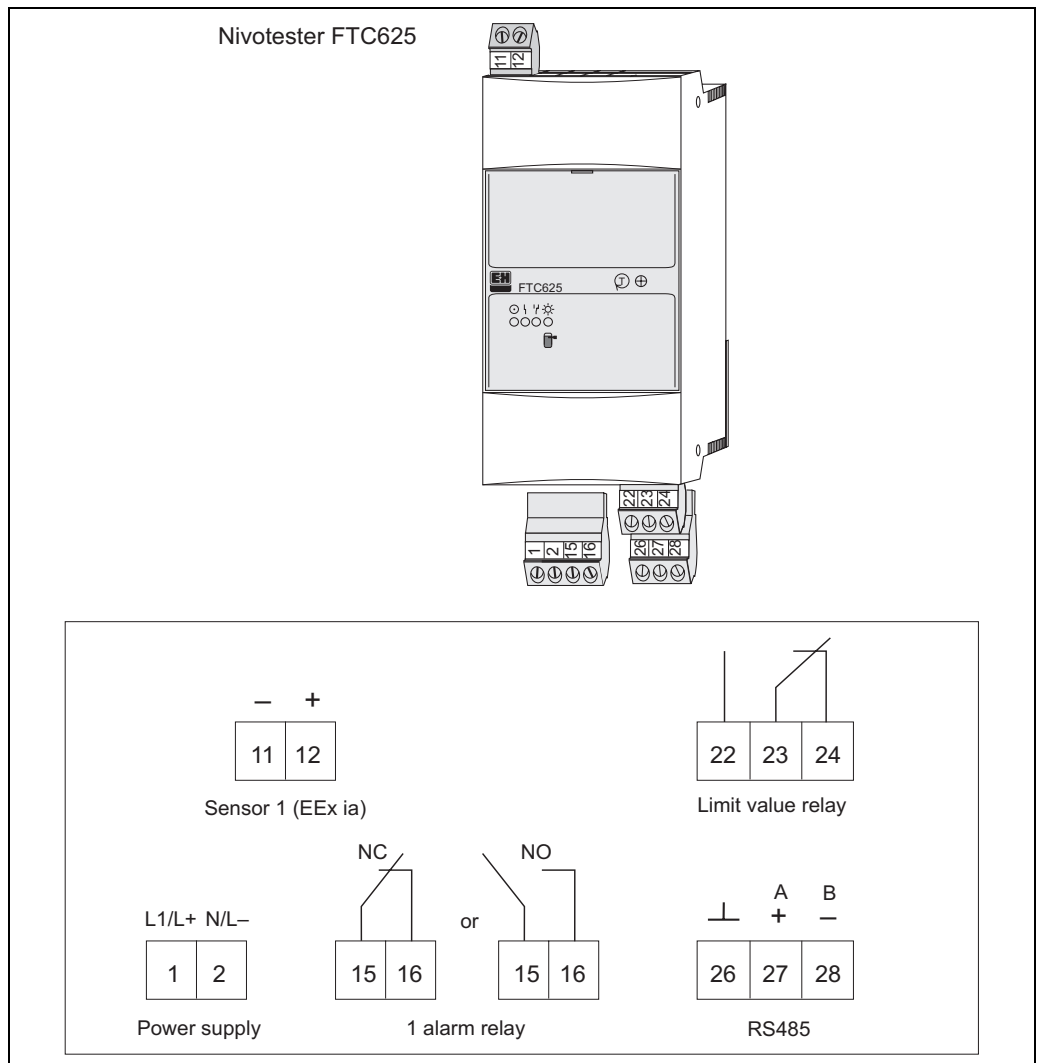
Terminals

Nivotester FTC625

- 2 screw terminals: probe supply
- 3 screw terminals: limit relay
- 2 screw terminals: alarm relay
- 2 screw terminals: power supply
- 3 screw terminals: RS485 interface

Connection cross-section

maximum 1 x 2.5 mm or 2 x 1.5 mm



L00-FTC625xx-04-06-xx-en-001

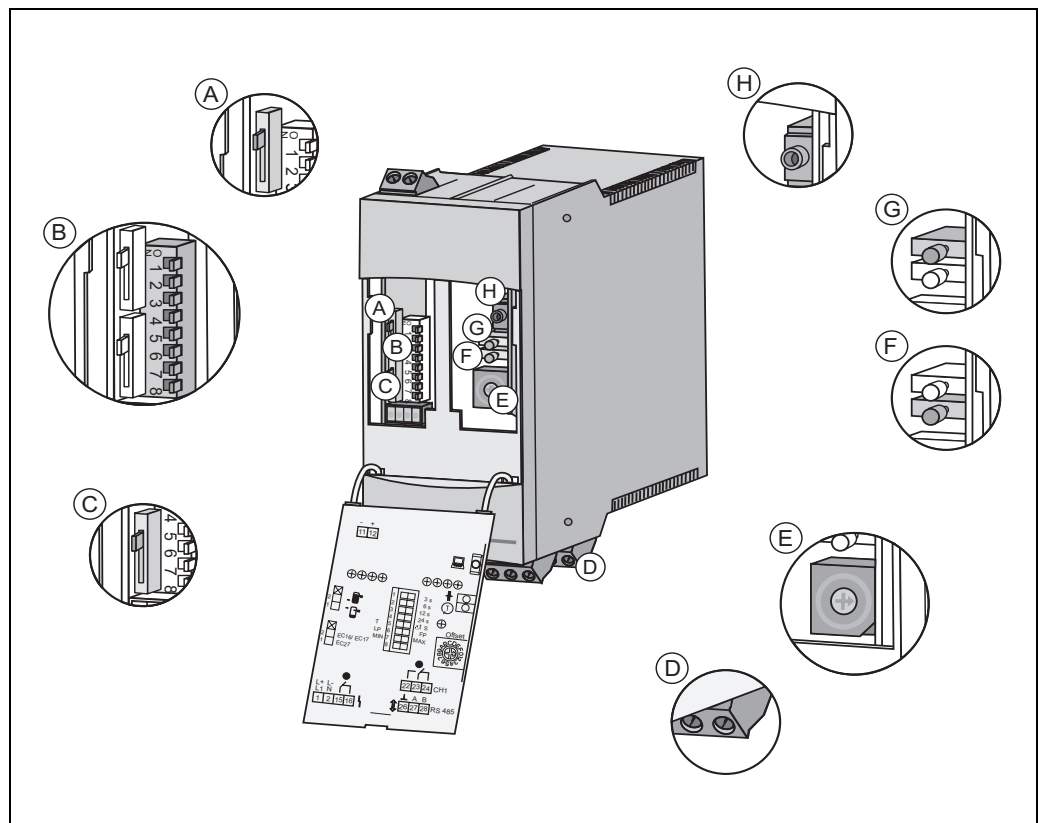
Human interface

Display elements

1. green light emitting diode: standby (flashing = communication)
2. red light emitting diode: fault indication
3. yellow light emitting diode (left): "limit relay energised"
4. yellow light emitting diode (right): "probe uncovered/covered" level indication independent of the selected fail-safe circuit

Operating elements

- A Calibration for covered or uncovered probe
- B DIL switches 1-4: switching delay (3 s, 6 s, 12 s, 24 s) = max. 45 s
DIL switch 5: delay when covering or uncovering the probe
DIL switch 6: only with FEI57S or EC27Z - level limit indication immediately or after functional test
DIL switch 7: min/max fail-safe mode
DIL switch 8: no function
- C Sensor selection: FEI57S, EC27Z or EC16Z, EC17Z
- D RS485 interface
- E Switch point shift for build-up compensation (16-stage)
- F Correction key (green)
- G Calibration key (red)
- H Diagnosis socket (RS232/FieldCare)



L00-FTC625ex-03-06-06-xx-001

Operating concept

On-site configuration with switches behind the folding front panel

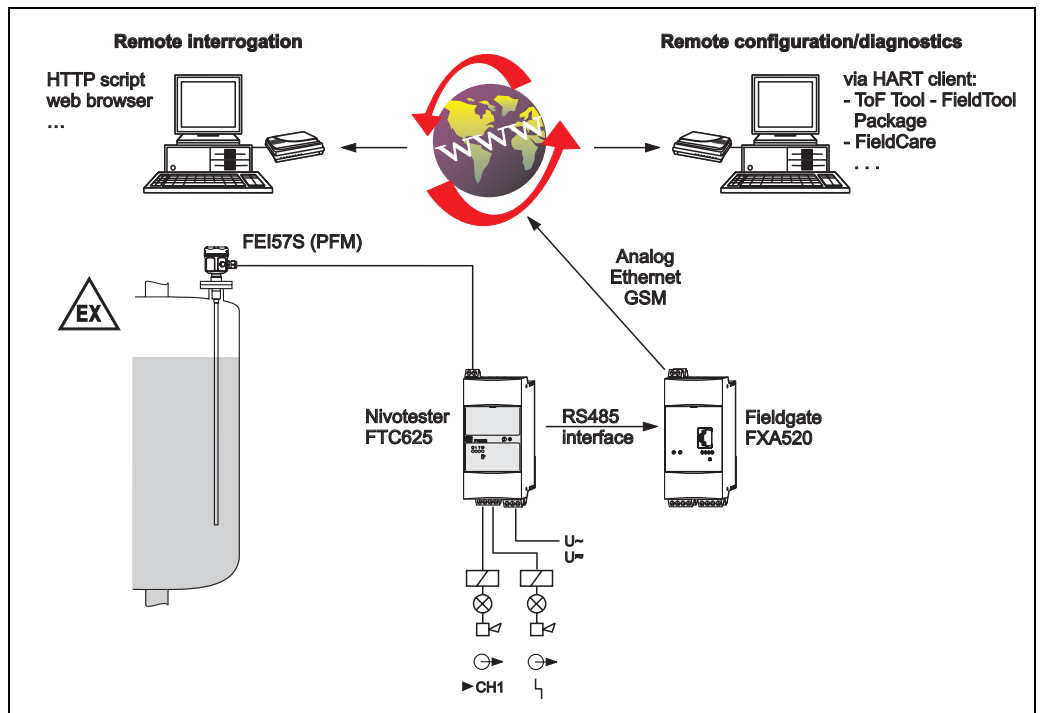
System integration via Fieldgate

Vendor managed inventory

The remote interrogation of tank or silo levels via Fieldgate enables suppliers of raw materials to gather information about the current inventories of their regular customers at any time and, for example, take this into account in their own production planning. The Fieldgate monitors the configured point levels and automatically triggers the next order as required. Here, the range of possibilities ranges from simple requisitioning by e-mail through to fully automatic order processing by incorporating XML data into the planning systems on both sides.

Remote maintenance of measuring systems

Not only does Fieldgate transmit the current measured values, it also alerts the standby personnel responsible by e-mail or SMS as required. Fieldgate forwards the information transparently. In this way, all options of the operating software in question are available remotely. By using remote diagnosis and remote configuration some onsite service operations can be avoided and all others can at least be planned and prepared better.



L00-FT15xxxx-14-00-06-en-002

Certificates and approvals

CE mark	The Nivotester meets all the statutory requirements arising from EC directives. Endress+Hauser confirms the successful testing of the device by affixing the CE symbol.
Ex approval	Endress+Hauser Sales Centers provide information about the currently available versions for use in hazardous areas (ATEX EEx ia IIC; FM IS; CSA IS) All the relevant data for explosion protection is contained in separate Ex documentation (see: Supplementary Documentation), which can be requested.
Type of protection	[EEx ia] IIC
Overspill protection	WHG
Other standards and regulations	Other standards and regulations which were complied with during the conception and development of the Nivotester FTC625. <ul style="list-style-type: none"> ■ EN 60529 Degrees of protection provided by enclosures (IP code) ■ EN 61010 Safety requirements for electrical equipment for measurement, control and laboratory use ■ EN 61326 Interference emission (Equipment Class B), interference immunity (Appendix A - industrial applications)

Ordering information

Nivotester FTC625	10	Certificates	
		C	ATEX II (1) GD [EEx ia] IIC, WHG
		D	FM IS Cl. I, II, III Div. 1 Group A-G
		E	CSA IS Cl. I, II, III Div. 1 Group A-G
		S	TIIS Ex ia IIC
		Y	Special version
	20	Version	
		1	Rail mounting 1-channel 45 mm
	9	Special version	
30	Power supply		
	A	Power supply 85...253 V AC, 50/60 Hz	
	B	Power supply 20... 30 V AC / 20... 60 V DC	
	Y	Special version	
40	Output		
	1	1x level SPDT + 1x alarm SPST NC (Normal closed)	
	2	1x level SPDT + 1x alarm SPST NO (Normal open)	
	9	Special version	
50	Additional option		
	1	Additional option not selected	
	9	Special version	
995	Marking		
	1	Tagging (TAG)	
FTC625		Complete product name	

Accessories

Protective housing

The protective housing in protection class IP66 is equipped with an integrated DIN rail and closed by a transparent cover, which can also be lead-sealed.

Dimensions:

W: 180 / H: 182 / D: 165

Technical Data:

- Ingress protection (EN 60529): IP66
- Lower housing section: fibre-glass reinforced polycarbonate, grey
- Upper housing section: polycarbonate, transparent
- Cover screws: PA, 4 pieces, 2 of which are sealing
- Seal: PU seal
- Top-hat rail (EN 50022): galvanized
- Cable entries: 5 pieces M 20x1,5
- Part number: 52010132

Cable

Cable for connecting the Nivotester FTC625 to a PC (RS232/3.5 mm jack plug)

- Part number: 52013982
(included in delivery)

Supplementary Documentation

System Information (SI)

- Capacitance level measurement
SI001F/00

Technical Information (TI)

Capacitance measuring devices

- Liquicap M, FTI51, FTI52
TI417F/00
- Solicap S, FTI77
TI433F/00
- Solicap M, FTI55, FTI56
TI418F/00

Protective housing

- Protective housing
TI367F/00

Fieldgate

- FXA320, FXA520
TI369F/00

Operating Instructions (KA)

- Nivotester FTC625
KA194F/00

Certificates

ATEX:

- Nivotester FTC625
XA195F/00

WHG (DIBt):

- Nivotester FTC625
ZE211F/00

Instruments International

Endress+Hauser
Instruments International AG
Kaegenstrasse 2
4153 Reinach
Switzerland

Tel. +41 61 715 81 00
Fax +41 61 715 25 00
www.endress.com
info@ii.endress.com

Endress+Hauser 

People for Process Automation

TI370F/00/EN/05.10
71115359
FM+SGML 6.0



71115359