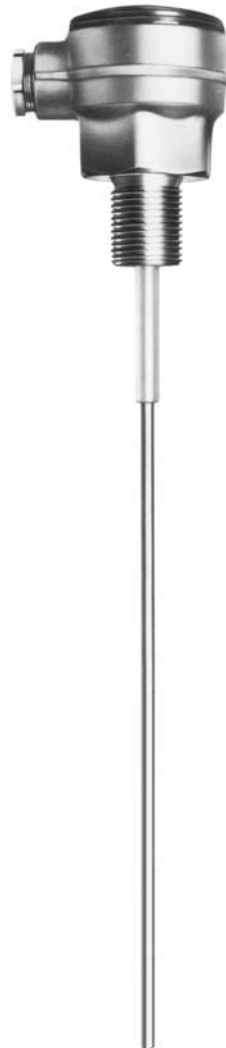


# Conductive Limit Detection Rod Probe 11263

## Partially insulated rod probe for conductive liquids



### Applications

Conductive limit detection of conductive liquids in open tanks.

### Features and Benefits

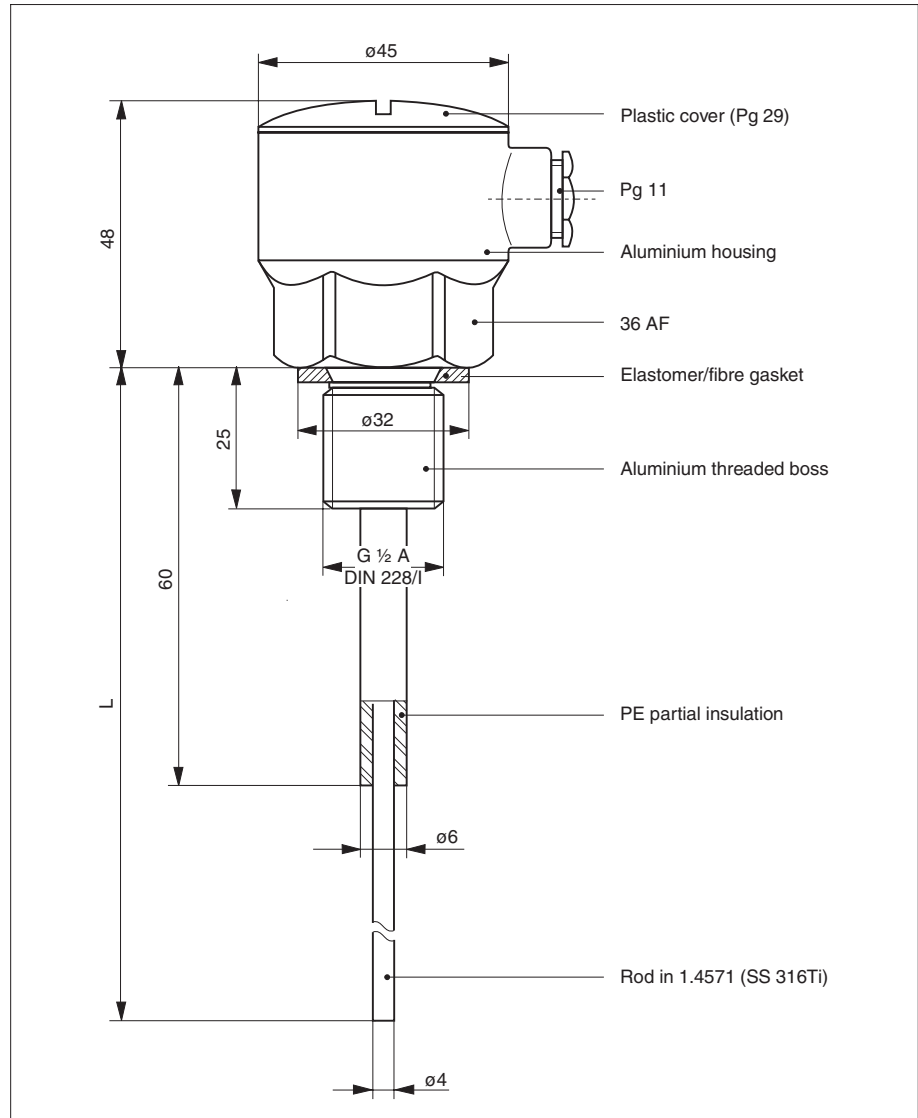
- Simple version with two standard lengths:  
= cost effective solution for standard applications
- Probe can be shortened  
= suitable for inventory management
- Corrosion-resistant rod and insulation  
= for moderately aggressive materials

### Construction

- The probe consists of
- stainless steel rod with PE partial insulation
  - G 1/2 A (1/2 BSP) threaded connection in aluminium to ISO 228/1
  - Elastomer/fibre gasket, asbestos-free
  - Aluminium housing with plastic cover Pg 29 (Polystyrene)
  - Pg 11 cable gland

## Mounting

- The probe is designed mainly for top-mounting in tanks. Probes used in agitated liquids must be laterally supported by insulated brackets.
- Ensure sufficient room for mounting outside the tank so that the probe can be inserted without using undue force.
- The probe can be shortened. Please note:
  - do not damage the insulation
  - shortest probe length 80 mm



Dimensions of the 11263 probe in mm

## Electrical Connection

Nivotester limit switch:  
FTW 420, FTW 520 Z, FTW 470 Z,  
FTW 570 Z, FTW 325

The Pg 11 cable gland is designed for cable diameters from 6 mm to 8 mm.

Cables should be fitted with cable sleeves before connecting to the terminals in the housing:

- central terminal for the probe rod,
- side terminal for the ground connection.

# Technical Data

## General Information

Manufacturer	Endress+Hauser GmbH+Co.
Instrument	Partially insulated rod probe
Instrument designation	11263
Technical documentation	TI 323F/00/de
Technical data	to DIN 19259

## Application

Conductive limit detection	Maximum or minimum detection in vessels containing conductive liquids
----------------------------	---

## Function and system design

Measurement principle	The material creates a conductive connection between the probe and vessel wall on touching the tip of the probe
Measurement system	Probe 11263 in liquid vessels (tanks), Nivotester FTW limit switch in the control room
Construction	Partially insulated rod probe with compact connection housing
Signal transmission	AC voltage; smaller AC voltage with probe covered

## Input

Variable	Level (limit value, binary)
Measuring range	Detection range: defined by probe length with vertical mounting (80...1000 mm from above);

## Output

Output signal	Probe: AC, specified by Nivotester; Nivotester FTW: see appropriate Technical Information
Transmitters	Nivotester FTW 420, FTW 520 Z, FTW 470 Z / 570 Z, FTW 325

## Operating conditions

### Installation

Mounting	Position: vertical from above
----------	-------------------------------

### Environment

Ambient temperature	-20 °C...+70 °C
Ambient temperature limits	as above
Storage temperature limits	as above
Ingress protection	IP 55 to EN 60529
Electromagnetic compatibility	Interference emission and interference immunity: see Nivotester FTW limit switch

### Process

Process temperature	-20 °C...+70 °C
Process temperature limits	as above
Process pressure limits	Process pressure $p_e$ : 0 bar (atmospheric pressure)
Conductivity of product	Min. 0.02 mS/cm, see limit switches

## Mechanical Construction

### Housing

Connection housing	Round housing $\varnothing$ 45 mm with 36 AF hex nut in aluminium with 1 cable entry Pg 11
Electrical connection	2 thread connections for cable sleeve in the housing
Dimensions	See Fig. page 2

**Mechanical Construction**  
(Continued)

**Process connections**

Threaded plug	G ½ A to ISO 228/I (BSP) with gasket
---------------	--------------------------------------

**Materials of wetted parts**

Process connection	Aluminium
Probe rod	Stainless steel 1.4571 (AISI 316 Ti)
Partial insulation	PE
Gasket	Elastomer/fibre, asbestos-free

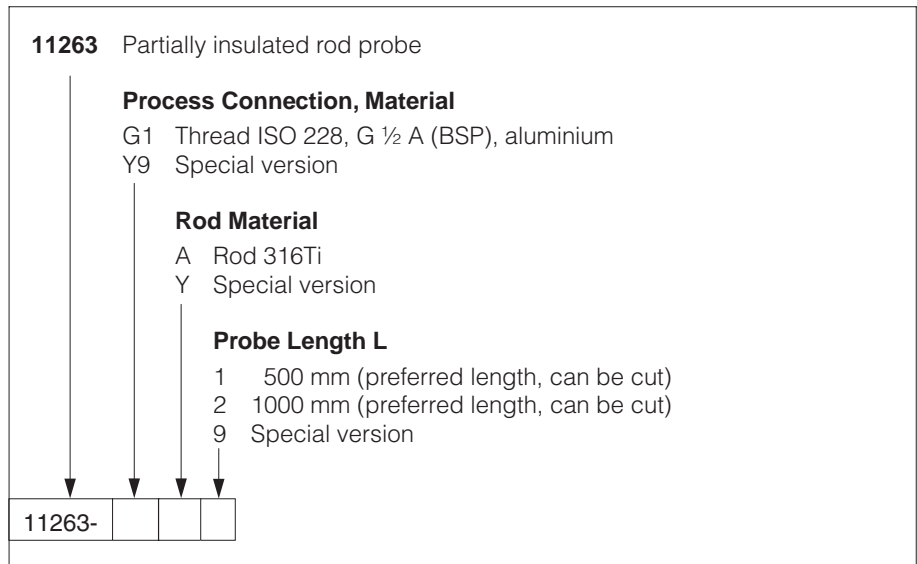
**Certificates and Approvals**

CE Mark	By attaching the CE Mark, Endress+Hauser confirms that the instrument fulfils all the requirements of the relevant EC directives.
---------	---

**Order Code**

See "Product Structure"	Table below
-------------------------	-------------

**Product Structure**



Endress+Hauser  
 GmbH+Co. KG  
 Instruments International  
 P.O. Box 2222  
 D-79574 Weil am Rhein  
 Germany  
 Tel. (076 21) 975-02  
 Fax (076 21) 975-345  
<http://www.endress.com>  
[info@ii.endress.com](mailto:info@ii.endress.com)

**Endress + Hauser**  
 The Power of Know How

