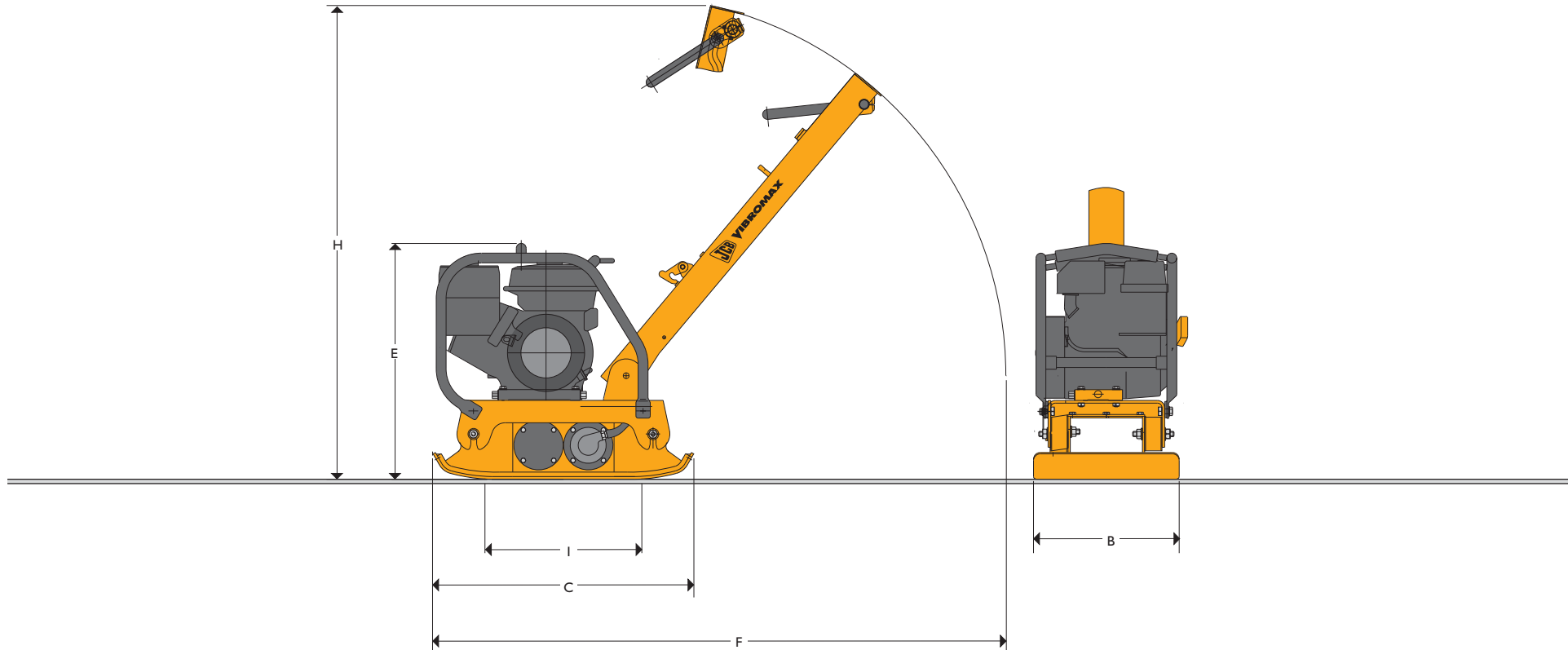




JCB VIBROMAX – COMPACTION EQUIPMENT REVERSIBLE PLATE COMPACTOR VMP8



MAX. PLATE WIDTH: 325mm (12.8in)
MAX. OPERATING WEIGHT: 80kg (176lb)



STATIC DIMENSIONS

Dimensions in millimetres (in)	
B Overall width	325 (12.8)
C Plate length	583 (23)
E Height without guide bar	526 (20.7)
F Total length	1280 (50.4)
H Total clearance	1060 (41.7)
I Contact length	350 (13.8)

OPERATING DATA

Operating weight	kg (lb)	80 (176)
Exciter frequency	Hz (vpm)	100 (6000)
Working width*	cm (in)	32.5 (12.8)
Centrifugal force	kN (lbf)	16 (3597)
Contact area	cm ² (sq in)	1138 (176)
Centrifugal force / contact area	N/cm ² (lbf / sq in)	14.1 (20.4)
Compaction depth up to	cm (in)	35 (13.8)
Working speed forward / reverse max.	m/min (ft/min)	22 (72.2)
Compacted area up to	m ² /h (ft ² /h)	429 (4616)

* Other working widths on request.



JCB VIBROMAX – COMPACTION EQUIPMENT REVERSIBLE PLATE COMPACTOR VMP8



ENGINE

Single cylinder, air-cooled, four-stroke gasoline engine.

Make	Honda/Robin	
Model	GX 120 Honda / EX 13D Robin	
Piston displacement	cm ³ (in ³)	118 (7.2) Honda / 126 (7.7) Robin
Performance – DIN 6271	kW (hp)	2.2 (2.9) Honda / 3.1 (4.2) Robin
Operating speed @ rpm	min ⁻¹	3600
Starting device	Recoil starter	
Air cleaner	Dry air cleaner	
Fuel filter	Cartridge	

SERVICE CAPACITIES

Fuel	litres (US gal)	2.5 (0.66) Honda / 2.7 (0.71) Robin
Engine oil (engine)	litres (US gal)	0.5 (0.13) Honda / 0.6 (0.16) Robin
Engine oil (exciter)	litres (US qt)	0.7 (0.74)

PROPULSION

See exciter drive.

EXCITER DRIVE

Centrifugal clutch and V-belt drive.

EXCITER

Twin shaft directional force exciter with active direction infinitely adjustable.



JCB Vibromax Compaction Equipment GmbH, Schäferberg, 06466 Gatersleben, Germany. Tel: +49 (0) 39482.700. Fax: +49 (0) 39482.70102. Web: <http://www.jcbvibromax.de>

JCB Vibromax America Inc, 2823 Carlisle-Avenue, Racine, WI, 53404, USA. Tel: +1 262-637-8111. Fax: +1 262-637-8211.

JCB Vibromax Singapore, Representative Office, 72 Pasir Ris Heights, Singapore 519279. Tel: +65 6583 8297. Tel: +65 6583 8301.

JCB reserves the right to change specifications without notice. Illustrations shown may include optional equipment and accessories. The JCB logo is a registered trademark of J C Bamford Excavators Ltd.

Printed in the UK on paper made from sustainable forests.
The pulp used in the manufacture of this paper is made from renewable timber produced on a fully sustainable basis, and is bleached without the use of chlorine gas (ECF – Elemental Chlorine Free). This paper is suitable for recycling.



9999/5131 10/08 Issue 3

A Product
of Hard Work