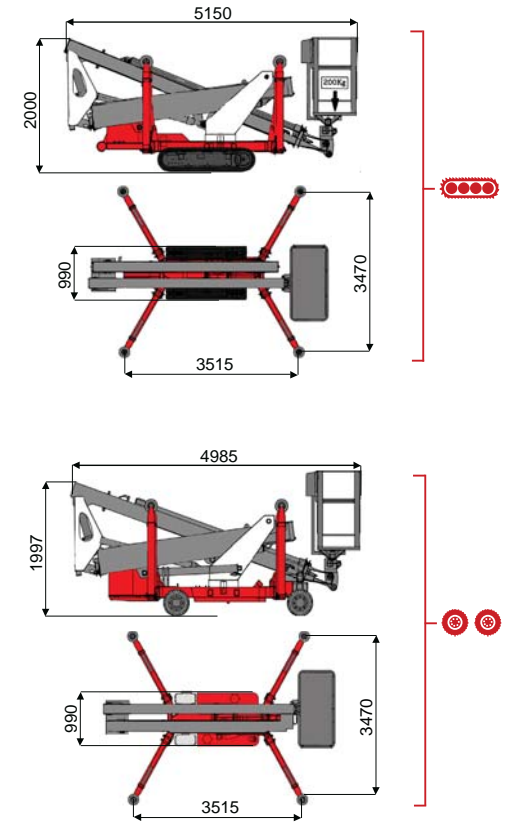
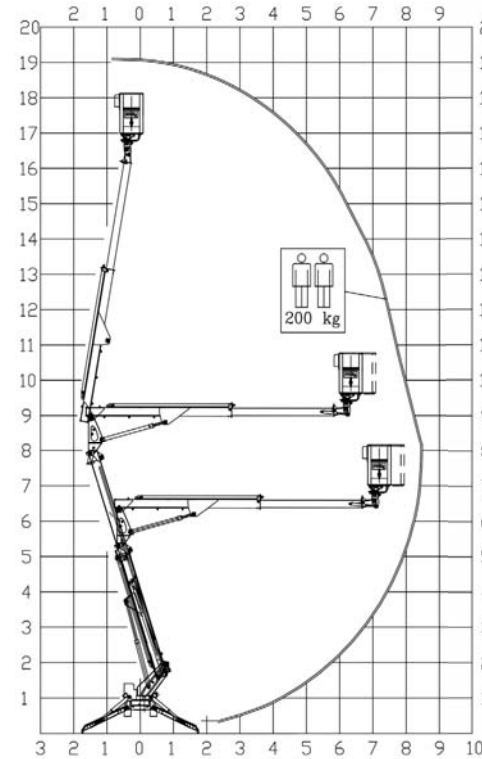




19 m ↑
8,5 m →
200 Kg 👤 👤



BI-ENERGY Diesel+AC																			
TZX 190/C			19 m	8,5 m	200 kg	360°	140x70 cm	65°+65°	3,47 m	15%	20%	2 km/h	2300 kg	1600 daN	5,1 daN/cm ²	0,42 daN/cm ²	990 mm	5150 mm	2000 mm
TZX 190/R			19 m	8,5 m	200 kg	360°	140x70 cm	65°+65°	3,47 m	15%	20%	2 km/h	2300 kg	1600 daN	5,1 daN/cm ²	5,48 daN/cm ²	990 mm	4985 mm	1997 mm

ECO	Battery type	Battery charge	Add. Weight	Autonomy	Charging time	Electropump
DC+AC	24V 240 A/h 5h	230V-24V 40A	230 kg	3-4 h endless	6h	24V 5.5 kW