



The Floor Box Specialists

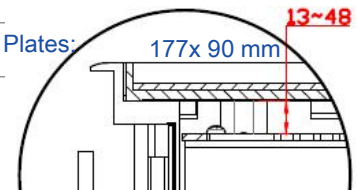
Item No.: SCF-169P

Specifications

- ✓ Floor box manufactured from galvanised steel
- ✓ 25 & 20mm knockouts to accept flexible conduit
- ✓ Frame & lid moulded from high impact ABS plastic material
- ✓ Galvanised lid insert for strength
- ✓ Easy grip recessed lifting handle
- ✓ Compact design 156x130 mm floor cut-out
- ✓ Clamp fixing for fast installation
- ✓ Standard depth 99mm designed to accept standard
- ✓ accessory plates from electrical wholesalers

Dimensions

Floor Cut Out:	156x 130mm
Floor Box Depth:	75~110mm
Plug Top Clearance:	14~48 mm
Overall Frame & Lid:	169 x 141.5mm
Frame Lid Recess:	8 mm
Accessories Plates:	177x 90 mm



Part of F Series Modules

1 module size

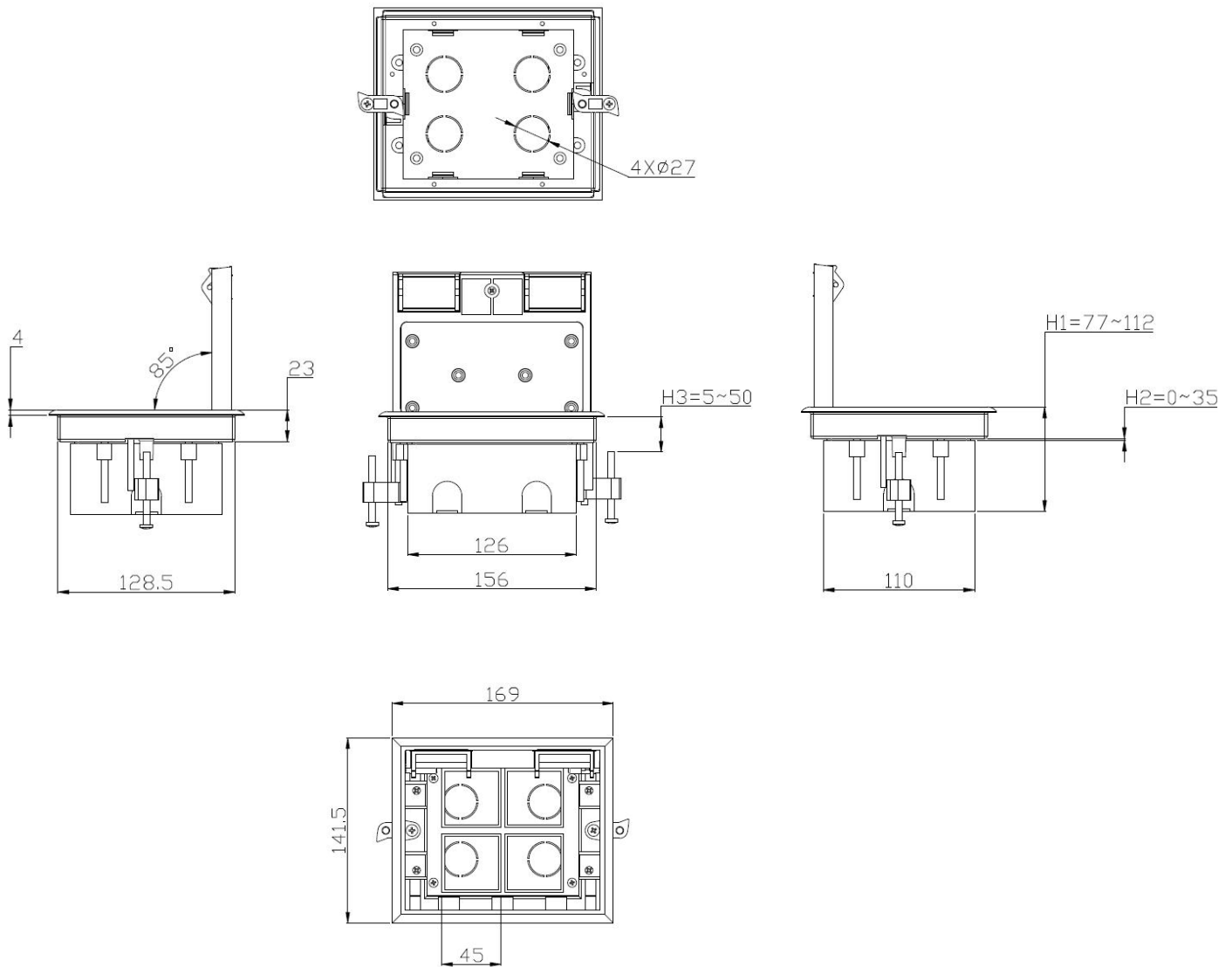


2 modules size



Plug Top Clearance

Drawing line



Package :

- 1) Package dimension of carton: 55 X 37 X29 mm; 4 Pcs inner box into master carton
- 2) G.W.:14.2KG/Carton; N.W: 13.2KG/Carton