

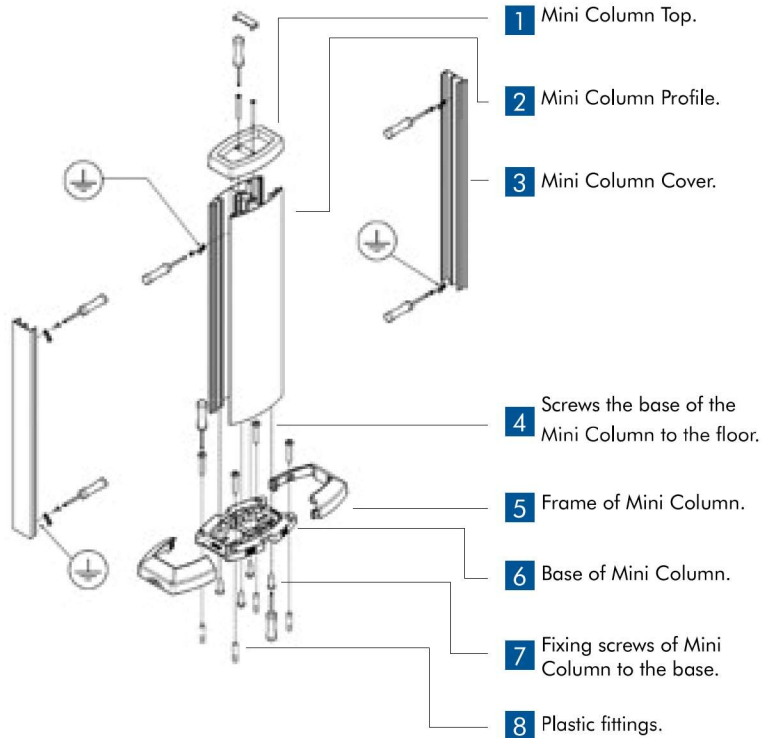
DESCRIPTION



IK09

- Allows to put all the connections (power and communication) nearby the Workstation.
- To be used with semi-assembled devices **QUADRO 45** Series.

MOUNTING DIAGRAM



DIMENSIONS (mm)

