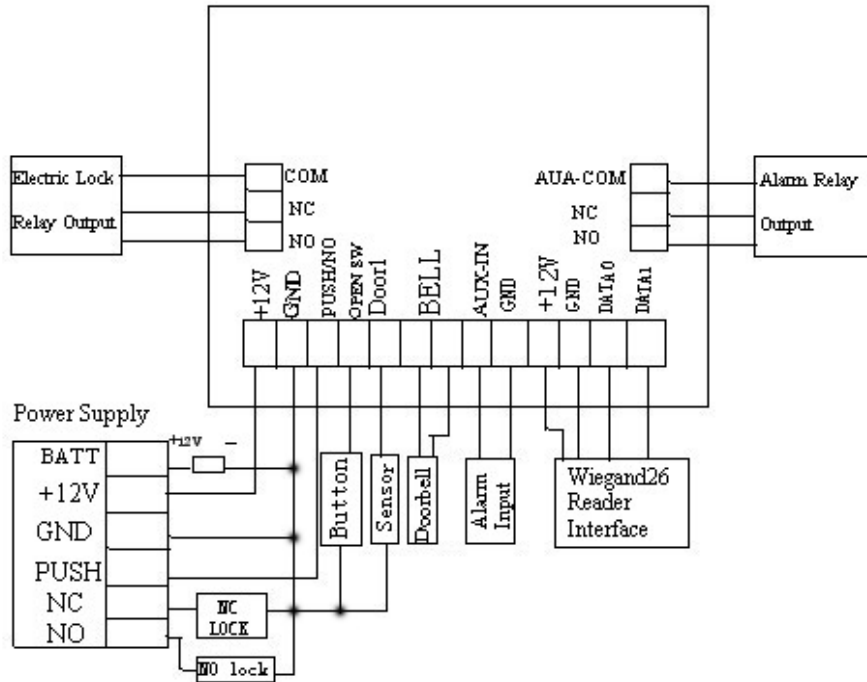


RFID Card Access Control Keypad Manual



Please read manual carefully before installation and keep the manual carefully forever

1. Technical Parameters:

Item	Parameters
Working Voltage	DC 12V+12%/1.2A
Lock Relay	DC 12V/2A
Environmental Temperature	Working: 0~45 Storage: -10~55
Humidity	Working: 40%~90%RH Storage: 20%~90%RH
Card Capacity	1000
Password	Public PIN: 1 ; Private PIN: 1000
Internal Reader Frequency	125KHz
Proximity Card	EM card & EM compatible card
Reading Distance	5~15cm
Lock interface	Relay output or LEV output
Exit Button	1 group
Door Bell	1 group
Door Contact	1 group
Alarm Interface	1 group
External Reader	1 Wiegand 26 interface

2.Factory Defaults

Item	Default
Programming PIN	881122
Open mode	Card or Public PIN(1234)
Private PIN	0000
Unlock time	3s
Anti-break Button	On
Magnetic Contacts	Off
Lock Status	Off
Delay Setting	0s
Modify Private PIN Function	Off

3. Sound & Light Indicate

3.1 Normal working condition

3.1.1 Valid command: a short beep

3.1.2 Invalid command: a long beep

3.2 Under programming mode

3.2.1 Green Light on

3.2.2 Valid command: beep-beep

3.2.3 Invalid command: beep-beep-beep

4. Cancel Command

Press [#]can cancel this command before you finish it.

5. Functions & Settings

5.1 Entering programming mode:

[#]=> 6-digit programming pin (beep-beep) (default:881122)

5.2 Modify programming PIN:

[0]=>enter new 6-digit PIN= reenter the new 6-digit PIN

5.3 Add valid card:

[5]=>enter 3-digit index code (beep beep)=>read card 1(beep, beep-beep)=>read card 2(beep, beep-beep)=>...=>read card N(beep, beep-beep)=>[#] (beep-beep). Finish to add all cards.

5.3.1 3-digit index code ranges from 001 to 999 and non-repeatable. This code is used for deleting user when lose this user's card, kindly please take care of it.

5.3.2 When add more than one card, the index code will be calculated in order automatically, For example, the current card is 015, the next one is 016...and so on.

5.3.3 The default PIN for every valid card: 0000

5.4 Delete Valid Card

5.4.1 By index code:

[7]=>enter 3 digit index code 1(beep-beep)=>enter 3 digit index 2(beep-beep)=>...=>enter 3 digit index N(beep-beep)=>[#](beep-beep), finish to delete cards.

5.4.2 By Valid card

[7]=>read card 1(beep, beep-beep)=>read card 2(beep, beep-beep)=>...=>read

card N(beep, beep-beep)=>[#] (beep-beep). Finish to delete cards.

5.4.3 Delete all valid cards

Please directly restore the factory defaults

5.4.4 The Private PIN of valid card will be deleted together after deleting the valid card.

5.5 Exit Programming Mode:

[#] (beep-beep)

5.6 Open Mode Settings

5.6.1 Valid card or Public PIN

[1]+[0](beep-beep)(default)

5.6.2 Valid card and Private PIN

[1]+[1](beep-beep)

5.7 Password/PIN

5.7.1 Turn off the function of modifying Private PIN

[1]+[2](beep-beep)(default)

5.7.2 Turn on the function of modifying Private PIN

[1]+[3] (beep-beep)

5.7.3 Modify Private PIN: not under programming mode

Press [#] for 2seconds (beep, beep-beep)=> read card(beep, beep-beep)=>enter

4-digit old PIN(default 0000)(beep-beep)=>enter 4-digit new PIN=>reenter

4-digit the new PIN(beep-beep)

5.7.4 Modify Public PIN

[3]=>enter 4-digit public PIN (default 1234)

Note: when the public PIN or private PIN is 0000, the PIN is invalid under the mode of opening the door by valid card or PIN

5.8 Settings of Open time

[2]+[TT]

'TT' is the time of opening lock, e.g. The open time is 3s, the TT=03.

5.9 Anti-break Function

Turn-off: [4]+[0]

Turn-on: [4]+[1]

5.10 Door Contact Sensor

5.10.1 Disable door contact sensor: [6]+[0]

5.10.2 Enable door contact sensor: [6]+[1]

5.11 Door Sensor Alarm

5.11.1 Turn off alarm: [8]+[0]

5.11.2 Turn on alarm: [8]+[1]

5.12 Alarm Delay Time:

[82]+[TT] TT is the time interval in seconds, e.g. If the delay time is 3s, then TT=03, after the door is locked 3s, if the door haven't closed completely, then the alarm is on. This function only can work when the door sensor alarm is on.

6. Restore Factory Default:

Press [86](beep-beep,beep-beep-beep, 5s later,beep-beep-beep)

7. Usage:

7.1 Card or PIN

7.1.1 The PIN should be entered within 2s.

7.1.2 Press[#] to cancel enter PIN before finish it.

7.2 Card and PIN

7.2.1 Read card (beep-beep) + enter Private PIN

7.2.2 Press[#] to cancel enter PIN before finish it.